

4K ColorVu PIR Siren Fixed Turret Camera



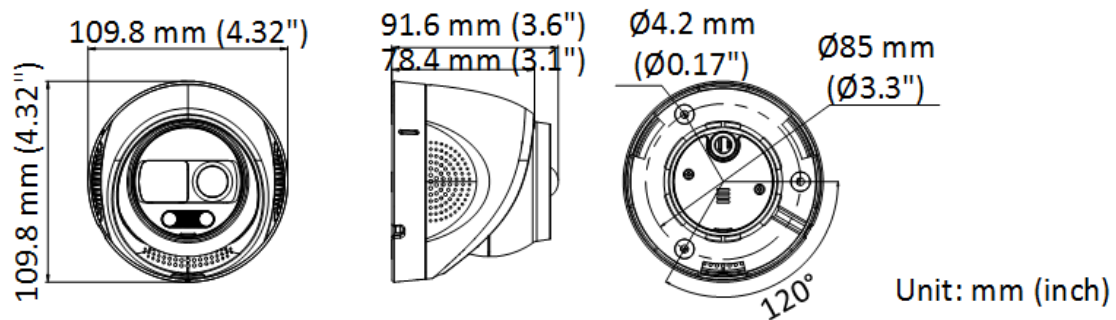
- High quality imaging with 8 MP, 3840 × 2160 resolution
- 24/7 color imaging
- Clear imaging against strong back light due to 130 dB true WDR technology
- 3D DNR technology delivers clean and sharp images
- 2.8 mm, 3.6 mm fixed focal lens
- Up to 20 m white light distance for bright night imaging
- Detects human body through heat-sensitive passive infrared (PIR)
- Active strobe light and audio alarm to warn intruders off
- Water and dust resistant (IP67)
- High quality audio with built-in speaker

▪ Specification

Camera	
Image Sensor	8 MP CMOS
Max. Resolution	3840 (H) × 2160 (V)
Min. Illumination	0.0005 Lux @ (F1.0,AGC ON),0 Lux with white light
Shutter Time	PAL: 1/12.5 s to 1/50,000 s; NTSC: 1/15 s to 1/50,000 s
Day & Night	24/7 Color Imaging
Angle Adjustment	Pan: 0° to 360°, Tilt: 0° to 75°, Rotation: 0° to 360°
Signal System	PAL/NTSC
Lens	
Lens Type	2.8 mm, 3.6 mm fixed focal lens
Focal Length & FOV	2.8 mm, horizontal FOV: 108°, vertical FOV: 57°, diagonal FOV: 127° 3.6 mm, horizontal FOV: 91°, vertical FOV: 45°, diagonal FOV: 110°
Lens Mount	M16
Illuminator	
Supplement Light Type	White Light
Supplement Light Range	Up to 20 m
Smart Supplement Light	Yes
Image	
Image Parameters Switch	STD/HIGH-SAT/HIGHLIGHT
Image Settings	Brightness, Contrast, Mirror, Defective Pixel Correction, Sharpness, Smart Light, Anti-Banding, AGC
Frame Rate	8 MP@12.5 fps/15 fps, 5 MP@20 fps, 1080P@25 fps/30 fps
Day/Night Mode	Color
Wide Dynamic Range (WDR)	≥130 dB
Image Enhancement	WDR, BLC, HLC, Global, HLS
Privacy Mask	4 programmable privacy masks
Noise Reduction	3D DNR/2D DNR
White Balance	Auto/Manual
White Light	Auto/Off
Supplement Detection(PIR)	
PIR Range	11 m
PIR Angle	110°
Interface	
Video Output	1 HD analog output
Alarm	1 line out flashing light alarm (white)
Event	
Motion Detection	4 programmable motion areas
General	
Power	12 VDC ± 25%, max. 6.4 W <i>*You are recommended to use one power adapter to supply the power for one camera.</i>
Material	Enclosure: Plastic, Main body: Metal
Dimension	∅ 109.82 mm × 91.6 mm (∅ 4.32" × 3.6")
Weight	Approx. 416 g (0.92 lb.)

Operating Condition	-40°C to 60°C (-40°F to 140°F), humidity: 90% or less (non-condensing)
Communication	HIKVISION-C
Language	English
Approval	
Protection	IP67

▪ **Dimension**



▪ **Accessory**

▪ **Optional**

Wall mount	Vertical Pole Mount	Junction box	Inclined ceiling mount	Junction box
Corner Mount				