

DS-1272J-120



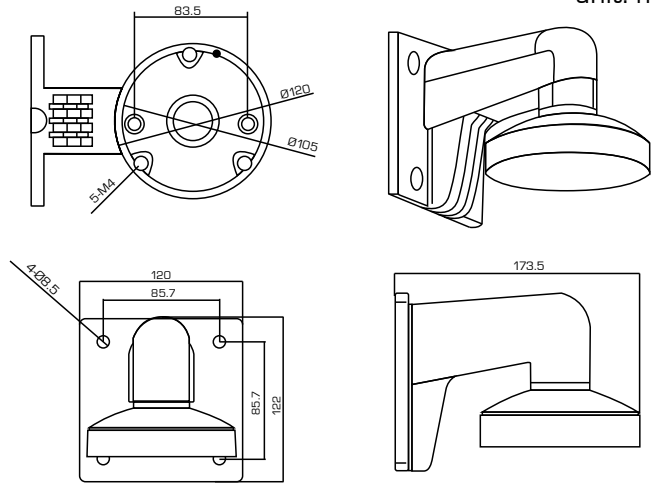
FEATURES:

- Aluminum alloy material with surface spray treatment
- Waterproof rubber suits for indoor/outdoor design
- The outlet hole makes the feature look better
- Better water proof as nose-up pitch design
- Matched junction box has the waterproof stopper

unit: mm

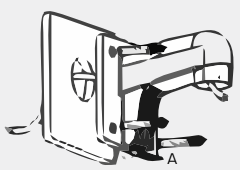
DS-1272ZJ-120

SPEC	
Parameters	Wall mount
Colour	Hik White
Feature	Suitable for mini dome camera
Material	Aluminum alloy
Dimension	120 x 122 x 173.5mm
Weight	440g

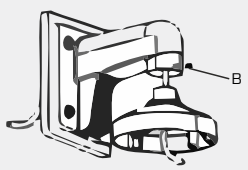


Installation View

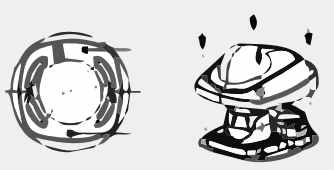
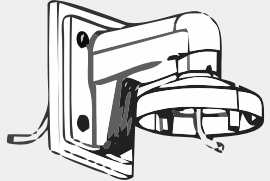
1. Choose appropriate wall and thread the wire
2. Fix the adaptor to bracket and thread the wire
3. Screw up and fix the adaptor
4. Get off the transparent cover and check the hole site of adapter plate



A: Reserved hole for wiring



B: Tightening Screw



5. Install the adaptor to the bracket and screw up
6. Connect the camera wire and fix the camera onto the adapter plate
7. Modify the angle of monitoring, install the transparent cover and screw up
8. Bracket installation complete

