



**SIMPLE
 HOOK-ON
 INSTALLATION**

BT7523

FLAT SCREEN WALL MOUNT WITH TILT



Designed to mount medium sized screens, this wall mount is simple to install and features a tilt function that allows easy positioning of the screen. Suitable for screens with VESA patterns up to 200 x 200mm, this neat and tidy mounting solution is ideal for commercial applications as well as home installations. The BT7523 is also collar compatible for alternative mounting solutions. Security screws are provided to help prevent unauthorized removal of the screen.

SPECIFICATION	
Recommended screen size	up to 47"
Max Load	25kg
VESA® compatibility	up to 200 x 200
Extension	52mm
Tilt wall mounted	+ / - 15°
Tilt pole mounted	+ / - 40°
Colour	Black

FEATURES

- Fits screens with VESA mounting patterns: 75 x 75mm, 100 x 100mm, 200 x 100mm and 200 x 200mm
- Easy tilt adjustment
- Mounts screen only 52mm from the wall
- Features 'OWLS' On Wall Levelling System
- Includes security locking screws and Allen key to prevent unauthorised removal of the screen
- Simple 'hook-on' installation with all mounting hardware included
- Compatible with B-Tech accessory collars



47"
120cm

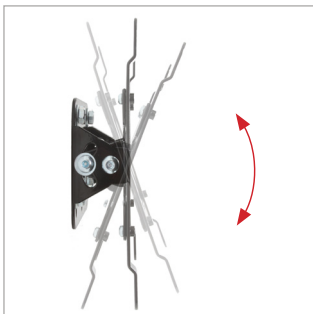
VESA
200

25KG

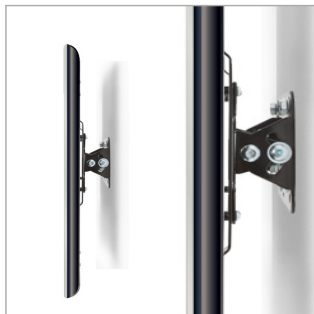
15°
15°

▶

✗



Easy tilt adjustment



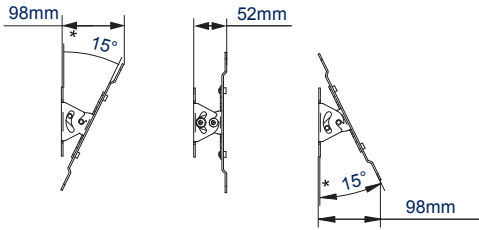
Distance from wall just 52mm



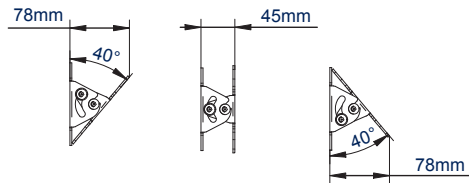
Security locking screws provided



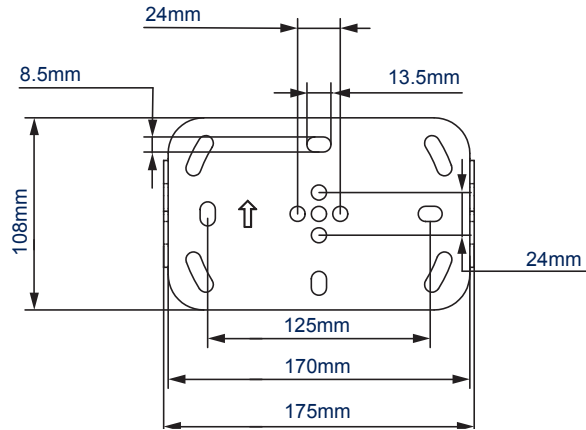
Simple 'hook-on' installation



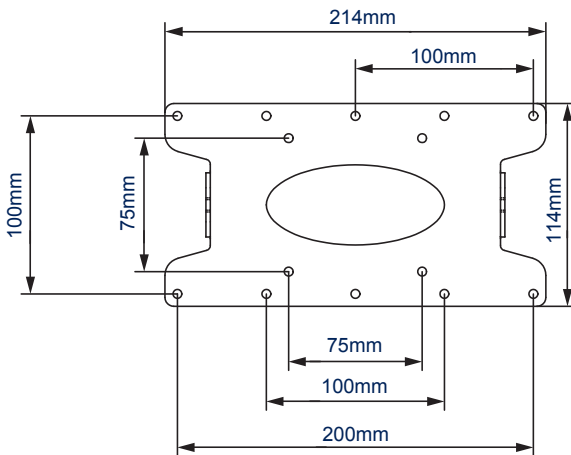
MOUNT WITH ADAPTOR ARMS



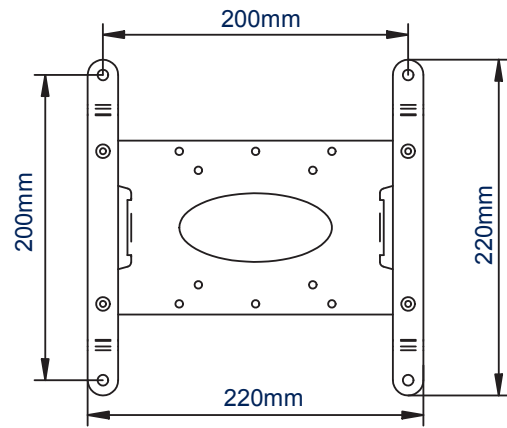
MOUNT WITHOUT ADAPTOR ARMS - SIDE VIEW



WALL PLATE - FRONT VIEW



INTERFACE PLATE - FRONT VIEW



INTERFACE PLATE WITH ADAPTORS - FRONT VIEW

PACKING INFORMATION

COLOUR:	ORDER REF:	EAN CODE:	MASTER CARTON QTY:	INNER CARTON QTY:	MASTER CARTON WEIGHT:	MASTER CARTON CUBE:
Black	BT7523/B	5019318752575	8	0	10.6kg	0.014cbm

ORIGINAL DESIGNS BY B-TECH AV MOUNTS - REGISTERED DESIGNS & PATENTS APPLY

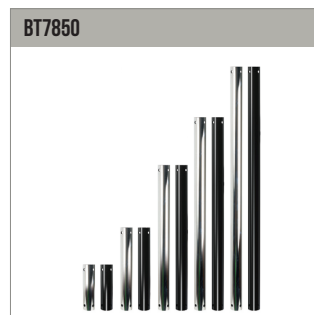
ACCESSORIES AND SIMILAR PRODUCTS TO THE BT7523



BT7532
Fixed Flat Screen Wall Mount Designed for screens up to 47"



BT7514
Single Arm Wall Mount with Tilt & Swivel Designed for screens up to 47"



BT7850
Ø50mm Diameter Poles are available in a choice of 6 lengths and can be used to create multiple pole mounted solutions



BT7841
Accessory Collars attaches the mount to Ø50mm poles

© 2015 B-Tech International Design & Manufacturing Limited. All rights reserved. This information is provided for informational purposes only. It is not intended to be used as a substitute for professional advice. B-Tech International Design & Manufacturing Limited is not responsible for any damage or loss of data caused by improper use of the product. Any reproduction or transmission of any part of this specification is strictly prohibited unless prior written permission has been granted by B-Tech International Design & Manufacturing Limited. E&OE.