



Key Feature

- Audio transmission to hearing aids via build-in antenna
- Simple connection to the KD8003 series door station
- Indicate the device status: Calling, opening door and two-way audio

Specification

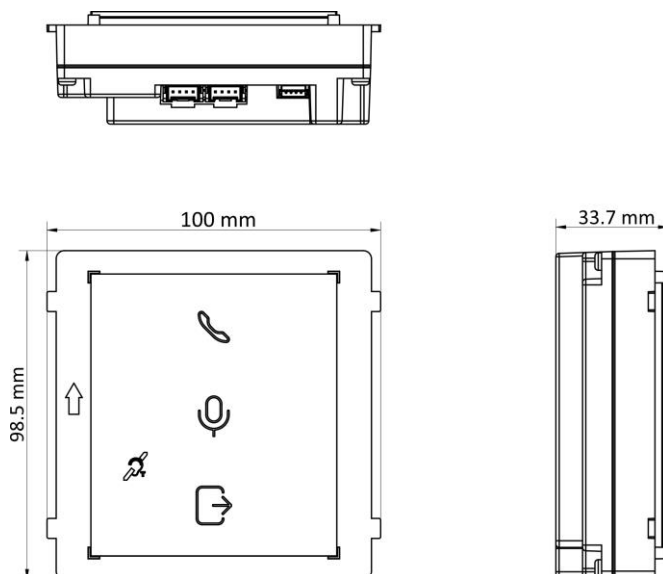
System parameters	
Operating system	Embedded operation system
CPU	Embedded MCU Processor
Audio parameters	
Impedance	4 Ω
Frequency range:	100 Hz to 3800 Hz
Signal-to-noise ratio:	≧ 47dB@10cm
Device interfaces	
RS-485	2 (For modular connection)
Power interface	2 (For modular connection)
General	
Installation	Flush mounting, surface mounting
Indicator	4 (Calling, opening door, two-way audio, PMR)
Weight	With package: 300 g Without package: 168.5 g
Protective level	IP65
Working temperature	-40° C to 55° C (-40° F to 131° F)

Working humidity	10% to 90%
Dimensions	98.5 mm × 100 mm × 33.7 mm (3.87" × 3.95" × 1.33")
Battery	/
Application environment	Outdoor
Power consumption	≤ 4 W, 6 W or 8 W (optional)

Available Model

DS-KD-PMR

Dimension



Accessory

Optional

DS-KD-ACF2/Plastic
DS-KD-ACW2/S
DS-KD-ACW
DS-KD-ACF1/Plastic
DS-KD-ACW3/S
DS-KD-ACW1
DS-KD-ACW2
DS-KD-ACF3/Plastic
DS-KD-ACW1/S
DS-KD-INFO
DS-KD-TD
DS-KABD8003-RS3/S
DS-KD8003-IME1(B)
DS-KD-BK
DS-KD-TDE
DS-KD-KP
DS-KD-M
DS-KD-KP/S
DS-KABD8003-RS2
DS-KD-TDM
DS-KABD8003-RS1/S
DS-KD-DIS
DS-KABD8003-RS1
DS-KABD8003-RS3
DS-KD-KK
DS-KD-E
DS-KABD8003-RS2/S
DS-KD-KK/S

Headquarters

No.555 Qianmo Road, Binjiang District,
Hangzhou 310051, China
T +86-571-8807-5998
www.hikvision.com



Follow us on social media to get the latest product and solution information.

