

## Datasheet

### PRXOIMITY CARDS & TAGS - METAL-D - Mifare® DESFire EV2 Credential

#### Product description

The METAL-D Mifare DESFire EV2 4K proximity tag is part of our ATRIUM KRYPTO range of high security solutions offered by CDVI. Coded with a AES 128-bit signature it allows effortless enrolment of users at maximum security. The BCD is suitable for use with KRYPTO compatible readers to guarantee end-to-end security.

From standard proximity to long-range and smart, our cards & tags offer flexibility for the management of the users.



#### Key features

- Robust proximity credential
- AES128-bit encryption
- Compatible with any Mifare® DESFire EV2 card readers
- Handy and easy to carry around
- Minimum order: 10

 *Certification*

 *DEEE*

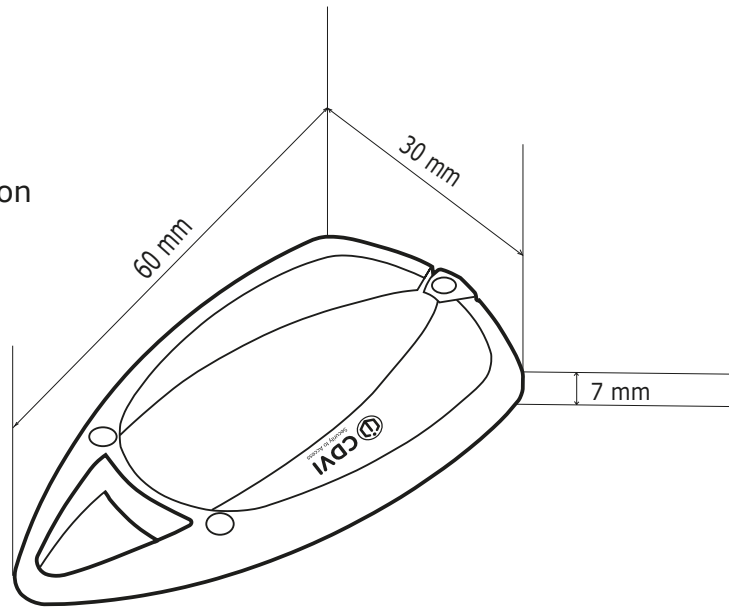
 *Certification*

All the information contained within this document (pictures, drawing, features, dimensions, specifications), could be perceptibly different and can be changed without prior notice. - November 2020 - CDVI\_METAL-D\_DS\_01\_EN\_A4\_C

## Product Information

**Material:** Metal and polycarbonate case

**Technology:** Mifare® DESFire EV2 4K  
AES128-bit encryption  
(when used with KRYPTO range)  
Hexadecimal random number generation  
(not printed)



## Also available in different technology



### METAL-1

Wiegand 125KHz  
(Decimal Number)



### METAL

Mifare® Classic 1K 13.56MHz  
(Hexadecimal Number)