

## Datasheet

### DOOR AUTOMATION/ EN16005-KIT-U-SR - SR Kit

#### Product description

Safety is essential to protect people from physical harm if they approach and use automated doors. CDVI offers a complete solution kit, which complies to the EN16005 standard which is considered essential for automated door safety.

Including the DIGIWAY SR (Spring Return), this kit is the answer for door automation in high traffic sites such as front doors or commercial sites.




#### Key features

- Full door kit
- Single and double door versions available
- Safety sensors, fingerguard and signage included
- Universal arm for inward or outward opening included
- Compatible with CDVI transmitters

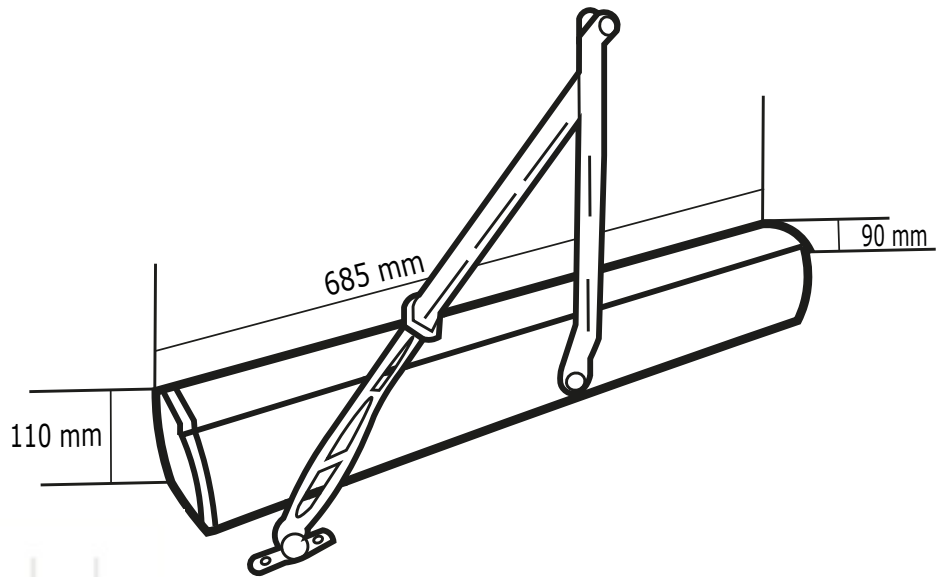
 *Certification*

 *DEEE*

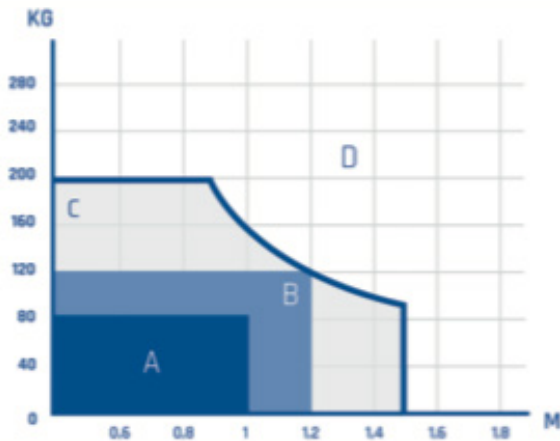
**RoHS** *Certification*

 *-10°C to 55°C*

All the information contained within this document (pictures, drawing, features, dimensions, specifications), could be perceptibly different and can be changed without prior notice. - April 2020 - CDVI\_EN16005-KIT-U-SR\_DS\_02\_EN\_A4\_C



## Usage



- Zone A:** Very intensive use (600 cycles/day)
- Zone B:** Intensive use (200-300 cycles/day)
- Zone C:** Use with reduced speed
- Zone D:** Do not use

## Product information

**Transmitter Memory:** 50

**Transmitter Encoding:** Keeloq® Hopping Code

## Electrical Specifications

**Power supply:** 230Vac, 50Hz

**Power for auxiliary devices:** 12Vdc / 500mA (max)

**Power for electrolock:** 12Vdc / 1A (max) or 24Vdc / 0.5A (max)

**Max current:** 100W

### Single door kit

- 1 x DWSR102U
- 2 x DWSSS-5M1
- 1 x DWS-FGW or DWS-FGB
- 2 x DWS-KCSIGN
- 2 x DWS-ADSIGN

### Double door kit

- 2 x DWSR102U
- 4 x DWSSS-5M1
- 2 x DWS-FGW or DWS-FGB
- 4 x DWS-KCSIGN
- 4 x DWS-ADSIGN
- 1 x DWSPCS