

# Datasheet

## ML-350M - Fail Safe Electric Lock

### Product Description

The ML range of electric locks are high performance locks suitable for double action doors.

The ML-350M provides fire certification, 650kg holding force and 225kg of preload operation. It is suitable for both horizontal or vertical mounting and double action door sets.

Manufactured from stainless steel, this lock is fail safe and suitable for use on emergency escapes. With both lock status and door status monitoring it is easy to check the status of important doors.

Tested to 250,000 cycles the ML-350M is a great solution for doors requiring solenoid type locking with fire certification and preload operation.

### Key Features

- Fail safe electric lock operating under side load
- Up to 650kg holding force
- Suitable for double action doors
- 60-minutes fire tested under EN14846
- Tested for 250,000 cycles
- Lock and door status monitoring



 Certification

 DEEE

 Certification

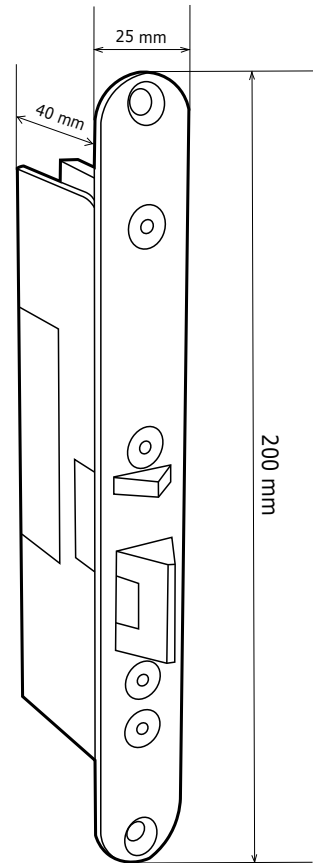
 -10°C to 49°C

## Product Specifications

<b>Material:</b>	Stainless steel
<b>Mounting:</b>	Horizontal or Vertical
<b>Holding force:</b>	Up to 650kg
<b>Preload:</b>	225kg
<b>Cycles:</b>	Tested to 250,000
<b>Actions:</b>	Single and double action doorsets
<b>Dimensions:</b>	
• Strike:	200 x 40 x 25 mm
• Faceplate:	200 x 25 x 3 mm

## Electrical Specifications

<b>Power input:</b>	12Vdc <u>OR</u> 24 Vdc
<b>Consumption:</b>	280mA @ 12Vdc 180mA @ 24Vdc
<b>Lock status contact rating:</b>	0.5A @ 250Vac



## Range references

E0901D000539	ML-350M-PL-12	Compact fail safe electric lock, fire rated, 12Vdc
E0901D000540	ML-350M-PL-24	Compact fail safe electric lock, fire rated, 24Vdc