

AE-MW3TF Vehicle Video Memory Card



- Product capacity covering 64G/128G/256G
- The storage medium is TLC particles
- Long reading and writing times, which can meet more than 1000 cycles
- Working temperature 0°C~70°C (32°F to 158°F)
- Optimized for long time on-board video recording, offering more stable reading and writing experience

▪ Specification

Specification			
Operating voltage	2.7V~3.6V	Working temperature	0°C to 70°C (32°F to 158°F)
Compatibility	SD 6.1	Working humidity	10%~95%
Working life	1,000 cycles	Storage Temperature	-40°C~85°C (-40°F to 185°F)
Storage medium	TLC	Durability	10,000 insertion/removal cycles;
Speed Class	U3 V30 A2	UHS-I	SDR104
Write/Read Speed	64GB: Up to 35/100MB/s 128GB: Up to 70/100MB/s 256GB: Up to 90/100MB/s	Type	SDXC

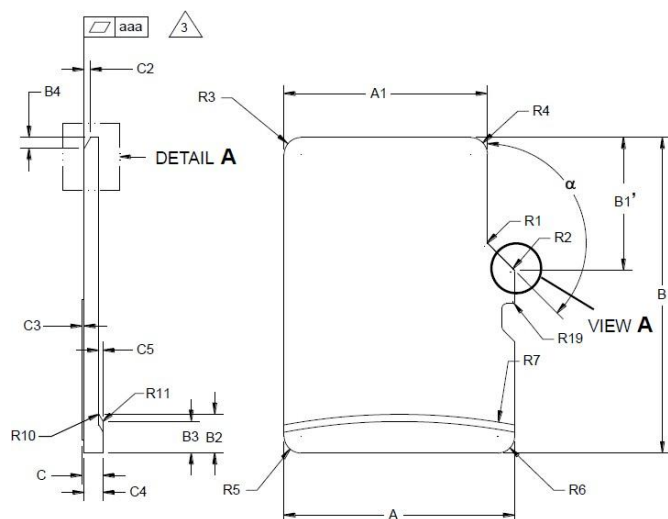
▪ Available Model

AE-MW3TF1(TLC/64G)

AE-MW3TF1(TLC/128G)

AE-MW3TF1(TLC/256G)

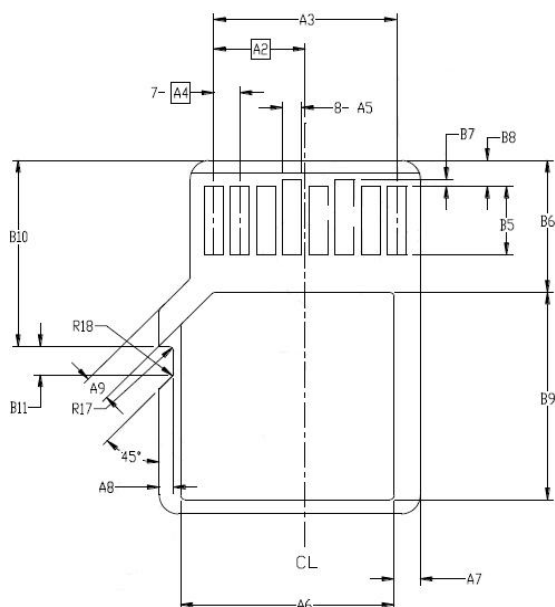
▪ Dimension



SYMBOL	COMMON DIMENSION			NOTE
	MIN	NOM	MAX	
A	10.90	11.00	11.10	
A1	9.60	9.70	9.80	
A2	-	3.85	-	BASIC
A3	7.60	7.70	7.80	
A4	-	1.10	-	BASIC
A5	0.75	0.80	0.85	
A6	-	-	8.50	
A7	0.90	-	-	
A8	0.60	0.70	0.80	
A9	0.80	-	-	
A10	1.35	1.40	1.45	
A11	6.50	6.60	6.70	
A12	0.50	0.55	0.60	
A13	0.40	0.45	0.50	
B	14.90	15.00	15.10	
B1	8.13	6.23	6.33	
B2	1.64	1.84	2.04	
B3	1.30	1.50	1.70	
B4	0.42	0.52	0.62	
B5	2.80	2.90	3.00	
B6	5.50	-	-	
B7	0.20	0.30	0.40	
B8	1.00	1.10	1.20	
B9	-	-	9.00	
B10	7.80	7.90	8.00	
B11	1.10	1.20	1.30	
B12	3.80	3.70	3.80	
B13	2.80	2.90	3.00	
B14	8.20	-	-	
B15	-	-	6.20	
C	0.90	1.00	1.10	
C1	0.60	0.70	0.80	
C2	0.20	0.30	0.40	
C3	0.00	-	0.15	
C4	0.80	-	1.10	
C5	0.15	-	-	
D1	1.00	-	-	
D2	1.00	-	-	
D3	1.00	-	-	
R1	0.20	0.40	0.60	
R2	0.20	0.40	0.60	
R3	0.70	0.80	0.90	
R4	0.70	0.80	0.90	
R5	0.80	0.80	0.90	
R6	0.60	0.80	0.90	
R7	29.50	30.00	30.50	
R10	-	0.20	-	
R11	-	0.20	-	
R17	0.10	0.20	0.30	
R18	0.20	0.40	0.60	

Notes:

1. DIMENSIONING and TOLERANCING per ASME Y14.5M-1994.
2. Dimensions are in millimeters.
3. COPLANARITY is additive to C1 MAX thickness.
4. All edges shall not be sharp as tested per UL1439 "Test for Sharpness of Edges on Equipment."
5. Refer to Appendix E about test method of warpage.
6. As measurement point is changed, symbol B1 is changed to symbol B1'.
7. C4 and C5 are added from Version 4.00.



Headquarters

No.555 Qianmo Road, Binjiang District,
Hangzhou 310051, China
T +86-571-8807-5998
www.hikvision.com



Follow us on social media to get the latest product and solution information.

