

Card Reader Module



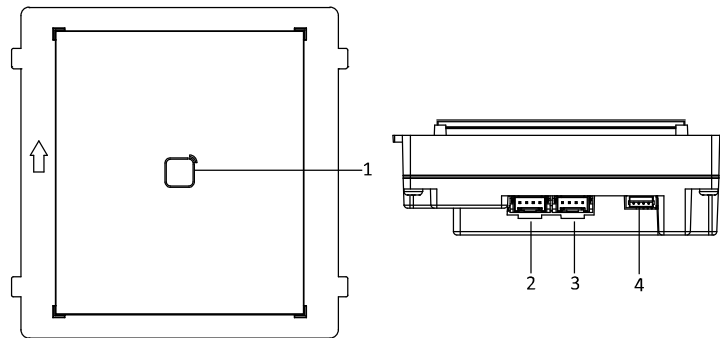
Key Feature

- Supports unlock the door via swiping cards
- Supports issuing cards
- Backlight compensation
- Easy to and extend

Specification

Model		DS-KD-M	DS-KD-E
System parameters	Processor	Embedded MCU Processor	
	Internal card reader	Built-in Card Reader	
Interfaces	Module-connecting	2(1 Input, 1 Output)	
General	Card type	Mifare Card	EM Card
	DIP switch	8	
	Power input	12 VDC(Powered by the other module)	
	Power output	12 VDC(Powered for the other module)	
	Power consumption	≤2 W	
	Working temperature	-40°C to + 60°C (-40°F to 1 40°F)	
	Working humidity	10% to 95%	
	IP protection level	IP65	
	Installation	Flush Mounting, Surface Mounting	
	Dimensions (L × W × H)	98.5 mm × 100 mm × 33.7 mm (3.87" × 3.95" × 1.33")	

Appearance and Interface



No.	Description
1	Card Reading Area
2	Module-connecting Interface(output)
3	Module-connecting Interface(input)
4	Debug Port

Typical Application

System Framework for Apartment

