

## DS-2CE72UF3T-E/BLACK 4K ColorVu POC Fixed Turret Camera



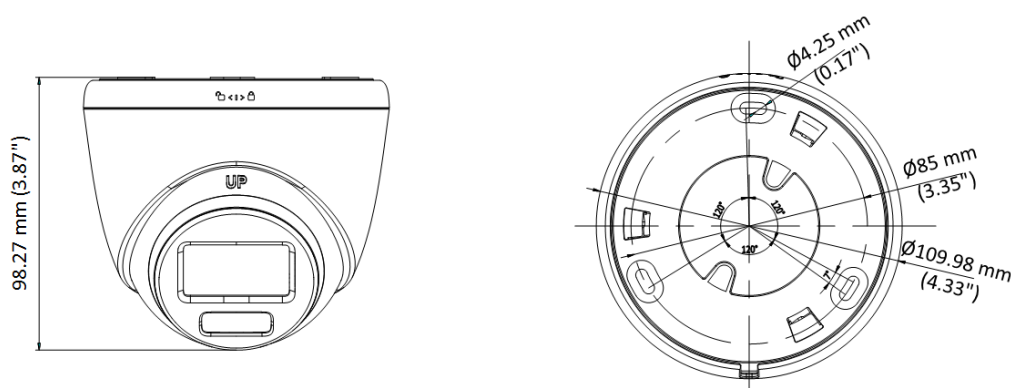
- High quality imaging with 8 MP, 3840 × 2160 resolution
- 24/7 color imaging
- Clear imaging against strong back light due to 130 dB true WDR technology
- 3D DNR technology delivers clean and sharp images
- 2.8 mm, 3.6 mm fixed focal lens
- Up to 40 m white light distance for bright night imaging
- Water and dust resistant (IP67)



## ▪ Specification

| Specification            |  |
|--------------------------|--|
| Image Sensor             | 8 MP CMOS  |
| Signal System            | PAL/NTSC   |
| Resolution               | 3840 (H) × 2160 (V)  |
| Frame Rate               | TVI: 8 MP @ 12.5 fps/15 fps, 3K @ 20 fps, 1080P @ 25 fps/30 fps  |
| Min. Illumination        | 0.0005 Lux@(F1.0, AGC ON), 0 Lux with white light  |
| Shutter Time             | PAL: 1/12.5 s to 1/50,000 s; NTSC: 1/15 s to 1/50,000 s  |
| Lens                     | 2.8 mm, 3.6 mm fixed focal lens  |
| Field of View            | 2.8 mm, horizontal FOV: 110°, vertical FOV: 59°, diagonal FOV: 131°<br>3.6 mm, horizontal FOV: 93°, vertical FOV: 48°, diagonal FOV: 113°              |
| Lens Mount               | M16  |
| Light Alarm              | Solid Light Alarm (White Light)  |
| Day & Night              | Color  |
| WDR (Wide Dynamic Range) | ≥130 dB  |
| Angle Adjustment         | Pan: 0° to 360°, Tilt: 0° to 180°, Rotation: 0° to 360°  |
| Menu                     |  |
| White Light              | Auto/Off   |
| Image Mode               | STD/HIGH-SAT/HIGHLIGHT   |
| AGC                      | Yes  |
| Day/Night Mode           | Color  |
| White Balance            | Auto/Manual  |
| AE (Auto Exposure) Mode  | WDR, BLC, HLC, Global, HLS   |
| Privacy Mask             | 4 programmable privacy masks   |
| Motion Detection         | 4 programmable motion areas  |
| Noise Reduction          | 3D DNR/2D DNR  |
| Language                 | English  |
| Function                 | Brightness, Contrast, Mirror, Sharpness, Anti-Banding, Smart Light   |
| Interface                |  |
| Video Output             | 1 HD analog output   |
| General                  |  |
| Operating Conditions     | -40°C to 50°C (-40°F to 130°F), Humidity: 90% or less (non-condensing)   |
| Power Supply             | 12 VDC ± 25%/PoC.at<br><i>*You are recommended to use one power adapter for one camera, and use 2-pin power supply for long-distance power supply.</i> |
| Consumption              | Max. 5.1 W   |
| Protection Level         | IP67   |
| Material                 | Main body: Metal, Enclosure: Plastic   |
| White Light Range        | Up to 40 m   |
| Communication            | HIKVISION-C  |
| Dimension                | 194.2 mm × 78 mm × 74.5 mm (7.65" × 3.07" × 2.93")   |
| Weight                   | Approx. 350 g (0.77 lb.)   |

## ▪ Dimension


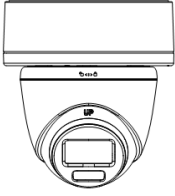


## ▪ Accessory

▪ **Optional**

**DS-1280ZJ-S/BLACK**

**Junction box**

|   |  |  |  |  |
|---|--|--|--|--|
|  |  |  |  |  |
|  |  |  |  |  |

▪ **Available Model**

DS-2CE72UF3T-E

Distributed by



## HIKVISION®

**Headquarters**

No.555 Qianmo Road, Binjiang District,  
Hangzhou 310051, China  
T +86-571-8807-5998  
overseasbusiness@hikvision.com

**Hikvision USA**  
T +1-909-895-0400  
sales.usa@hikvision.com

**Hikvision Australia**  
T +61-2-8599-4233  
salesau@hikvision.com

**Hikvision India**  
T +91-22-28469900  
sales@pramahikvision.com

**Hikvision Canada**  
T +1-866-200-6690  
sales.canada@hikvision.com

**Hikvision Thailand**  
T +662-275-9949  
sales.thailand@hikvision.com

**Hikvision Europe**  
T +31-23-5542770  
sales.eu@hikvision.com

**Hikvision Italy**  
T +39-0438-6902  
info.it@hikvision.com

**Hikvision Brazil**  
T +55 11 3318-0050  
Latam.support@hikvision.com

**Hikvision Turkey**  
T +90 (216)521 7070- 7074  
sales.tr@hikvision.com

**Hikvision Malaysia**  
T +601-7652-2413  
sales.my@hikvision.com

**Hikvision UK & Ireland**  
T +01628-902140  
sales.uk@hikvision.com

**Hikvision South Africa**  
Tel: +27 (10) 0351172  
sale.africa@hikvision.com

**Hikvision France**  
T +33(0)1-85-330-450  
info.fr@hikvision.com

**Hikvision Kazakhstan**  
T +7-727-9730667  
nikia.panfilov@hikvision.ru

**Hikvision Vietnam**  
T +84-974270888  
sales.vt@hikvision.com

**Hikvision UAE**  
T +971-4-4432090  
salesme@hikvision.com

**Hikvision Singapore**  
T +65-6684-4718  
sg@hikvision.com

**Hikvision Spain**  
T +34-91-737-16-55  
info.es@hikvision.com

**Hikvision Tashkent**  
T +99-87-1238-9438  
uzb@hikvision.ru

**Hikvision Hong Kong**  
T +852-2151-1761  
info.hk@hikvision.com

**Hikvision Russia**  
T +7-495-669-67-99  
saleru@hikvision.com

**Hikvision Korea**  
T +82-(0)31-731-8817  
sales.korea@hikvision.com

**Hikvision Poland**  
T +48-22-460-01-50  
info.pl@hikvision.com

**Hikvision Indonesia**  
T +62-21-2933759  
Sales.Indonesia@hikvision.com

**Hikvision Colombia**  
sales.colombia@hikvision.com