

5 MP ColorVu PoC Fixed Turret Camera

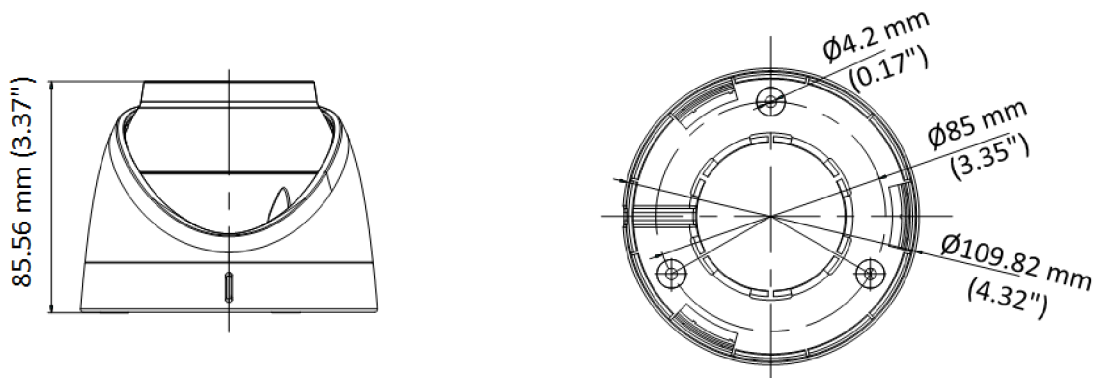


- High quality imaging with 5 MP, 2560 × 1944 resolution
- 24/7 color imaging
- Clear imaging against strong back light due to 130 dB true WDR technology
- 3D DNR technology delivers clean and sharp images
- 2.8 mm, 3.6 mm fixed focal lens
- Smart Light, up to 20 m white light distance
- Water and dust resistant (IP67)

▪ Specification

Specification	
Image Sensor	5 MP CMOS
Signal System	PAL/NTSC
Resolution	2560 (H) × 1944 (V)
Frame Rate	5 MP @ 20 fps, 4 MP @ 30 fps, 4 MP @ 25 fps, 1080p @ 30 fps, 1080p @ 25 fps
Min. Illumination	0.0005 Lux @ (F1.0, AGC ON), 0 Lux with white light
Shutter Time	PAL: 1/25 s to 1/50,000 s; NTSC: 1/30 s to 1/50,000 s
Lens	2.8 mm, 3.6 mm fixed focal lens
Field of View	2.8 mm, horizontal FOV: 99.7°, vertical FOV: 72°, diagonal FOV: 139.8° 3.6 mm, horizontal FOV: 80.1°, vertical FOV: 58.6°, diagonal FOV: 106.2°
Lens Mount	M16
Light Alarm	Solid Light Alarm (White Light)
WDR (Wide Dynamic Range)	≥130 dB
Angle Adjustment	Pan: 0° to 360°, Tilt: 0° to 75°, Rotation: 0° to 360°
Menu	
White Light	Auto/Off
Image Mode	STD/HIGHSAT
AGC	Yes
Day/Night Mode	Color
White Balance	Auto/Manual
AE (Auto Exposure) Mode	WDR, BLC, HLC, Global, HLS
Noise Reduction	3D DNR/2D DNR
Language	English
Function	Brightness, Mirror, Sharpness, Anti-Banding, Smart Light
Interface	
Video Output	1 HD analog output
General	
Operating Conditions	-40°C to 60°C (-40°F to 140°F), Humidity: 90% or less (non -condensing)
Power Supply	12 VDC±25%/PoC.af <i>*You are recommended to use one power adapter for one camera, and use 2-pin power supply for long-distance power supply.</i>
Consumption	Max. 4 W
Protection Level	IP67
Material	Enclosure: Plastic Main body: Metal
White Light Range	Up to 20 m
Communication	HIKVISION NC
Dimension	Φ 109.82 mm × 85.56 mm (4.32" × 3.37")
Weight	Approx. 350 g (0.77 lb.)

▪ Dimension



▪ Accessory

▪ Optional

Junction box

