

## DS-2CE56D8T-VPIT3ZE 2 MP Ultra-Low Light VF PoC Dome Camera



### Key Features

- 2 MP high performance COMS
- Ultra-Low Light
- 1920 × 1080 resolution
- Auto focus, 2.8 mm to 12 mm motorized vari-focal lens
- 120 dB true WDR, 3D DNR
- EXIR2.0, Smart IR , up to 40 m IR distance
- PoC.at
- IP67, IK8
- Up the Coax (HIKVISIONC)



## Specification

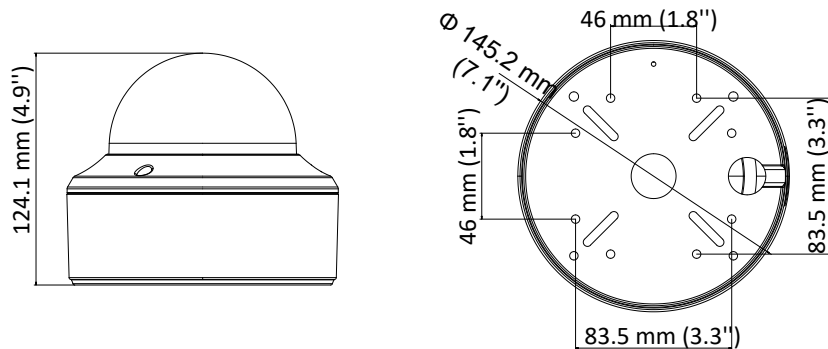
<b>Camera</b>	
Image Sensor	2.0 megapixel progressive scan CMOS
Signal System	PAL/NTSC
Frame Rate	PAL: 1080p@25fps NTSC: 1080p@30fps
Resolution	1920 (H) × 1080 (V)
Min. illumination	Color: 0.005 Lux @ (F1.2, AGC ON), 0 Lux with IR
Shutter Time	PAL: 1/25 s to 1/50, 000 s NTSC: 1/30 s to 1/50, 000 s
Slow Shutter	Max.: 16 times
Lens	2.8 mm to 12 mm motorized vari-focal lens
Horizontal Field of View	32.1° to 103°
Lens Mount	Φ14
Day & Night	IR cut filter
Angle Adjustment	Pan: 0° to 340°, Tilt: 0° to 75°, Rotate: 0° to 355°
Synchronization	Internal synchronization
WDR (Wide Dynamic Range)	> 120 dB
<b>Menu</b>	
AGC	Support
Day/Night Mode	Auto/Color/BW (Black and White)
White Balance	ATW/MANUAL
Privacy Mask	ON/OFF, 4 programmable privacy masks
Motion Detection	4 programmable motion areas
Backlight Compensation	WDR/BLC/HLC/OFF
3D DNR (Digital Noise Reduction)	Level 1 to 10
Language	English, Chinese
Functions	Brightness, Sharpness, Mirror, Smart IR
<b>Interface</b>	
Video Output	1 HD analog output
<b>General</b>	
Operating Conditions	-40 °C to 60 °C ( -40 °F to 140 °F) , humidity: 90% or less (non-condensation)
Power Supply	12 VDC±25%/PoC.at -A: 12 VDC±25%, 24 VDC±25%/PoC.at
Power Consumption	Max. 7 W
Protection Level	IP67, IK8
Material	Metal
IR Range	Up to 40 m
Communication	Up the coax, Protocol: HIKVISIONC (TVI output)
Dimensions	Φ 145.2 mm × 124.1 mm (Φ 5.72" × 4.89" )
Weight	Approx. 1600 g (3.53 lb.)

## Order Models

DS-2CE56D8T-VPIT3ZE

\* PoC function is only available when cooperating with DS-1TPXXX.

## Dimension



## Accessory



DS-1273ZJ-140  
Wall Mounting Bracket



DS-1275ZJ  
Vertical Pole Mounting Bracket



DS-1276ZJ  
Corner Mounting Bracket

Distributed by



## HIKVISION

### Headquarters

No.555 Qianmo Road, Binjiang District,  
Hangzhou 310051, China  
T +86-571-8807-5998  
overseasbusiness@hikvision.com

**Hikvision USA**  
T +1-909-895-0400  
sales.usa@hikvision.com

**Hikvision Italy**  
T +39-0438-6902  
info.it@hikvision.com

**Hikvision Singapore**  
T +65-6684-4718  
sg@hikvision.com

**Hikvision Africa**  
T +27 (10) 0351172  
sale.africa@hikvision.com

**Hikvision Europe**  
T +31-23-55-42-770  
info.eu@hikvision.com

**Hikvision France**  
T +33(0)1-85-330-450  
info.fr@hikvision.com

**Hikvision Oceania**  
T +61-2-8599-4233  
salesau@hikvision.com

**Hikvision Hong Kong**  
T +852-2151-1761

**Hikvision Middle East**  
T +971-4-8816086  
salesme@hikvision.com

**Hikvision Spain**  
T +34-91-737-16-55  
info.es@hikvision.com

**Hikvision Canada**  
T +1-909-895-0400  
sales.usa@hikvision.com

**Hikvision Russia**  
T +7-495-669-67-99  
saleru@hikvision.com

**Hikvision Poland**  
T +48-22-460-01-50  
poland@hikvision.com

**Hikvision Korea**  
T +82-31-731-8841  
sales.korea@hikvision.com

**Hikvision India**  
T +91-22-28469900  
sales@pramahikvision.com

**Hikvision UK**  
T +01628-902140  
support.uk@hikvision.com

**Hikvision Brazil**  
T +55 11 3318-0050  
Latam.support@hikvision.com