

4 MP IR Network Fisheye Camera



Series is designed to provide 24/7 surveillance for detention areas that require increased safety in a secure, vandal resistant installation.

The camera's unique corner-mount, anti-ligature design and IK10 impact rating ensures a safe and secure installation in the most demanding conditions.

The 2 mm ultra-wide angle lens provides a 135° horizontal field of view and captures clear images without blind spots. The camera features a 4 MP progressive scan CMOS sensor and provides high-resolution images of up to 2400 × 1800 pixels. Integrated 980 nm LEDs offer invisible IR functionality up to 30 ft (10 m) in zero-light environments.

The DS-2CD6W45G0-IVS is a perfect solution for detention areas that require invisible IR capabilities, an anti-ligature design, and improved safety. Vandal and impact resistance improves the life of the camera and improves performance in the most demanding of applications.

- 1/2" Progressive Scan CMOS
- Max. 2400 × 1800@30fps
- 120 dB WDR
- Up to 10m IR range
- Built-in microphone
- Smart features
6 behavior analyses, and 3 exception detections

Specifications

Camera	
Image Sensor	1/2" Progressive Scan CMOS
Min. Illumination	Color: 0.082 Lux @ (F2.4, AGC ON), B/W: 0.016 Lux @ (F2.4, AGC ON), 0 Lux with IR
Shutter Speed	1 s to 1/100,000 s
Slow Shutter	Yes
Day & Night	IR Cut Filter
Digital Noise Reduction	3D DNR
WDR	120 dB
Lens	
Focal Length	2 mm
Aperture	F2.4
FOV	Horizontal FOV 135° (corner mount)
Lens Mount	M12
IR	
IR Range	Up to 10 m IR range, 1 LED
Wavelength	940 nm
Compression Standard	
Video Compression	Main stream: H.265+/H.265/H.264+/H.264 Sub stream: H.265/H.264/MJPEG
H.264 Type	Baseline Profile/ Main Profile /High Profile
H.264+	Main stream supports
H.265 Type	Main Profile
H.265+	Main stream supports
Video Bit Rate	32 Kbps to 16 Mbps
SVC	H.265 and H.264 support
Smart Feature-set	
Behavior Analysis	Line crossing detection, intrusion detection, region entrance detection, region exiting detection, unattended baggage detection, object removal detection
Exception Detection	Audio exception detection
Region of Interest	4 fixed regions for main stream and sub-stream
Image	
Max. Resolution	2400 × 1800
Main Stream Max. Frame Rate	50Hz: 25fps (2400 × 1800, 1280 × 1280) 60Hz: 30fps (2400 × 1800, 1280 × 1280)
Sub Stream Max. Frame Rate	50Hz: 25fps (720 × 720, 720 × 480) 60Hz: 30fps (720 × 720, 720 × 480)
Image Enhancement	BLC, HLC, defog, 3D DNR
Image Setting	Saturation, brightness, contrast, sharpness, AGC and white balance are adjustable by client software or web browser
Day/Night Switch	Day/Night/Auto/Schedule/Triggered by Alarm In (-S)
Picture Overlay	LOGO picture can be overlaid on video with 128 × 128 24bit bmp format
Live View Display	
Mount Type	Support corner mounting

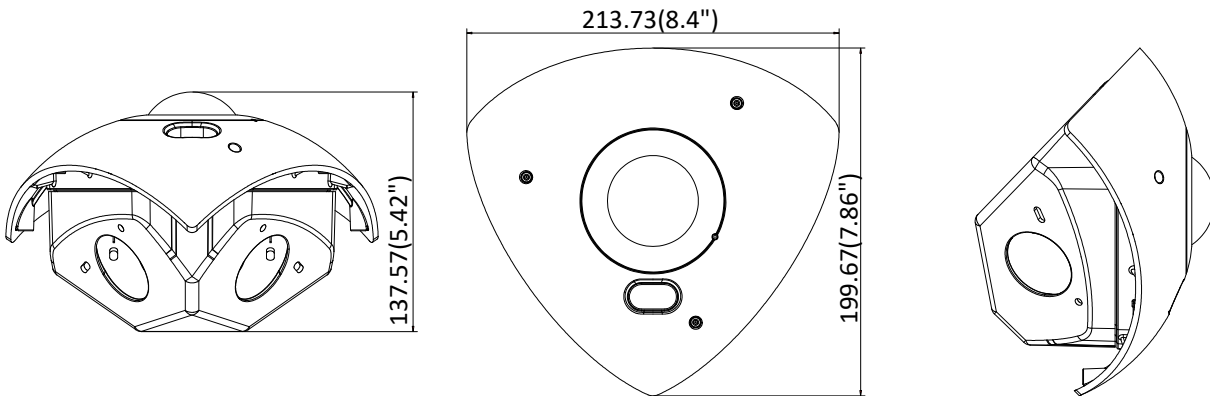
Audio	
Environment Noise Filtering	Yes
Audio Sampling Rate	8 kHz/16 kHz
Audio Compression	G.711/G.722.1/G.726/MP2L2/PCM
Audio Bit Rate	64Kbps(G.711)/16Kbps(G.722.1)/16Kbps(G.726)/32-160Kbps(MP2L2)
Network	
Network Storage	Support microSD/SDHC/SDXC card (256 G), local storage and NAS (NFS,SMB/CIFS), ANR
Alarm Trigger	Motion detection, video tampering alarm, network disconnected, IP address conflicted, illegal login, HDD full, HDD error
Protocols	TCP/IP, ICMP, HTTP, HTTPS, FTP, DHCP, DNS, DDNS, RTP, RTSP, RTCP, PPPoE, NTP, UPnP, SMTP, SNMP, IGMP, 802.1X, QoS, IPv6, UDP, Bonjour
Security Measure	Password protection, HTTPS encryption, IEEE 802.1x port-based network access control, IP address filter, basic and digest authentication for HTTP/HTTPS, WSSE and digest authentication for ONVIF
General Function	One-key reset, anti-flicker, heartbeat, mirror, password protection, privacy mask, watermark, IP address filter
Firmware Version	5.5.73
API	Open Network Video Interface (PROFILE S, PROFILE G), ISAPI
Simultaneous Live View	Up to 20 channels
User/Host	Up to 32 users. 3 user levels, administrator, operator and user
Client	iVMS-4200, iVMS-4500, Hik-Connect, iVMS-5200
Web Browser	IE8+, Chrome31.0-44, Firefox 30.0-51, Safari8.0+
Interface	
Communication Interface	1 RJ45 10M/100M/1000M self-adaptive Ethernet port
Audio	1 Audio input (line in, 3.5 mm), 1 audio output (line out, 3.5 mm); 1 built-in microphone
Alarm	1-ch alarm input, max. 12 V; 1-ch alarm output, max 24 VDC, 1 A
On-board storage	Built-in micro SD/SDHC/SDXC slot, up to 256 GB
Reset Button	Yes
General	
Operating Conditions	-40 °C to +60 °C (-40 °F to +140 °F), Humidity 95% or less (non-condensing)
Power Supply	12 VDC ± 20%, PoE (802.3af, class 0) -S model: two-core terminal block
Power Consumption	12 VDC, 0.9 A, max. 11 W PoE (802.3af, 36 to 57 V), 0.3 A to 0.2 A, max. 12 W
Protection Level	IP67, IK10+(50J)
Material	Metal
Dimensions	213.73 × 199.67 × 137.57 mm (8.4" × 7.86" × 5.42")
Weight	
Approval	
Anti-Corrosion Protection	NEMA 4X Exterior environments: industrial areas with high humidity and aggressive atmosphere and coastal areas with high salinity; Interior environments: buildings or areas with almost permanent condensation and with high pollution.

▪ DORI

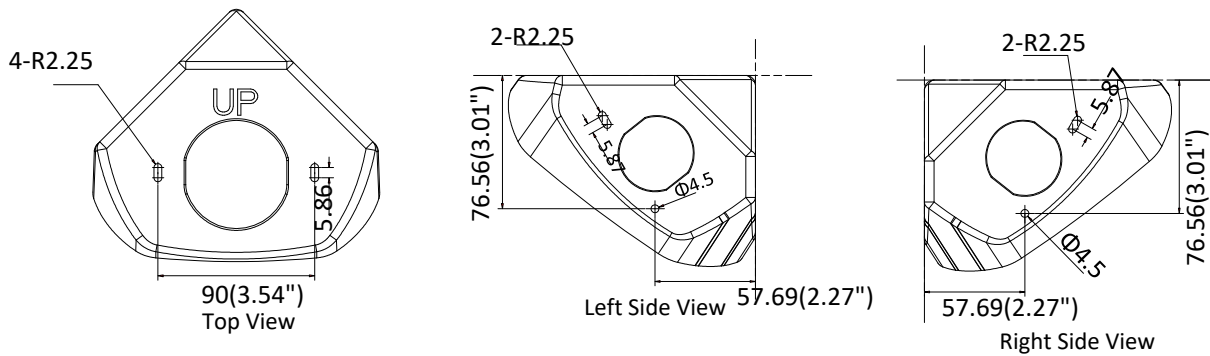
The DORI (detect, observe, recognize, identify) distance gives the general idea of the camera ability to distinguish persons or objects within its field of view. It is calculated based on the camera sensor specification and the criteria given by EN 62676-4: 2015.

DORI	Detect	Observe	Recognize	Identify
Distance(2 mm)	43.2 m	17.2 m	8.6 m	4.3 m

Dimensions



Screw Hole



Unit: mm