

## 4MP IR Bullet Network Camera



- 1/2.7" Progressive Scan CMOS
- 2688 × 1520 @ 25fps
- 1.68 mm ultra wide angle fixed lens
- 120dB WDR

- H.265+, H.265, H.264+, H.264
- Built-in micro SD/SDHC/SDXC card slot, up to 256 GB
- IP67

### DORI

The DORI (detect, observe, recognize, identify) distance gives the general idea of the camera ability to distinguish persons or objects within its field of view.

It is calculated based on the camera sensor specification and the criteria given by EN 62676-4: 2015.

DORI	Detect	Observe	Recognize	Identify
Distance	3.6 m	1.4 m	0.8 m	0.4 m



## Specifications

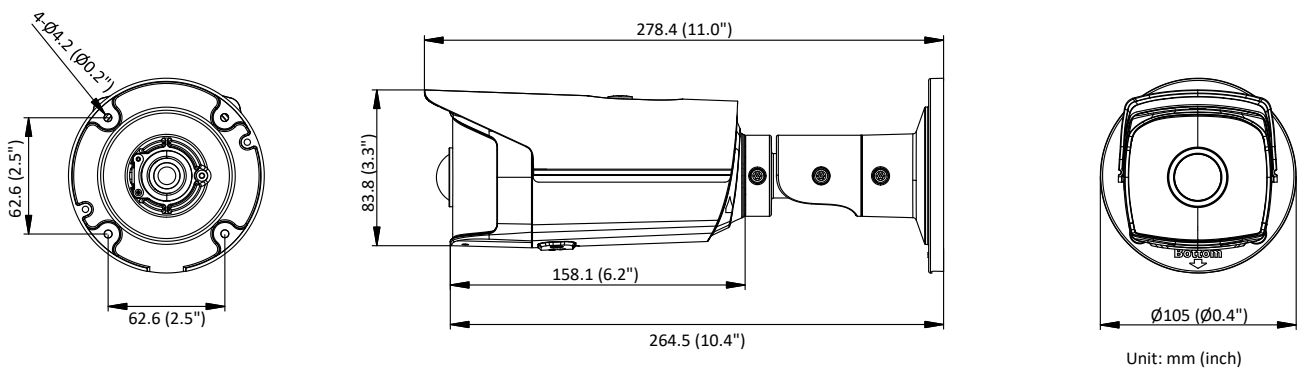
Camera	
Image Sensor	1/2.7" Progressive Scan CMOS
Min. Illumination	0.028 Lux @ (F2.0, AGC ON), 0 Lux with IR
Shutter Speed	1/3 s to 1/100,000 s
Slow Shutter	Yes
Day & Night	ICR Cut
WDR	120 dB
Angle Adjustment	Pan: 0° to 360°, tilt: 0° to 90°, rotate: 0° to 360°
Lens	
Lens Type	1.68 mm
Focus	Fixed
Aperture	F2.0
FOV	Horizontal: 180°, vertical: 101°, diagonal: 180°
Lens Mount	M12
Illuminator	
IR Range	20 m
Wavelength	850 nm
Smart Supplement Light	Yes
Video	
Max. Resolution	2688 × 1520
Main Stream	50Hz: 25fps (2688 × 1520, 2304 × 1296, 1920 × 1080, 1280 × 720) 60Hz: 24fps (2688 × 1520), 30fps (2304 × 1296, 1920 × 108, 1280 × 720)
Sub-Stream	50Hz: 25fps (640 × 480, 640 × 360, 320 × 240) 60Hz: 30fps (640 × 480, 640 × 360, 320 × 240)
Video Compression	Main stream: H.265+/H.265/H.264+/H.264 Sub-stream: H.265/H.264 /MJPEG
H.264 Type	Main Profile/High Profile
H.265 Type	Main Profile
Video Bit Rate	32 Kbps to 16 Mbps
Bit Rate Control	CBR/VBR
Stream Type	Main stream, sub-stream
Scalable Video Coding (SVC)	H.264 and H.265
Smart Feature-Set	
Smart Event	Line crossing detection, intrusion detection, unattended baggage detection, object removal detection, face detection, scene change detection

Linkage Method	Upload to FTP/NAS/memory card, notify surveillance center, send email, trigger alarm output, trigger recording, trigger capture. Trigger recording: memory card, network storage, pre-record and post-record. Trigger captured pictures uploading: FTP, SFTP, HTTP, NAS, Email. Trigger notification: HTTP, ISAPI, alarm output, Email
Region of Interest (ROI)	1 fixed region for main stream and sub-stream
<b>Image</b>	
Image Enhancement	BLC, HLC, EIS, Lens distortion, 3D DNR
Image Setting	Saturation, brightness, contrast, sharpness, rotate mode, white balance, AGC
Day/Night Switch	Day/Night/Auto/Schedule
SNR	≥ 50 dB
Privacy Mask	4 regions of privacy mask
<b>Network</b>	
Network Storage	micro SD/SDHC /SDXC (256 G) local storage, and NAS (NFS, SMB/CIFS), auto network replenishment (ANR)
Protocols	TCP/IP, ICMP, HTTP, HTTPS, FTP, DHCP, DNS, DDNS, RTP, RTSP, PPPoE, NTP, UPnP, SMTP, SNMP, IGMP, 802.1X, QoS, IPv6, UDP, Bonjour, SSL/TLS
API	ONVIF (PROFILE S, PROFILE G), ISAPI, SDK
Security	Password protection, complicated password, HTTPS encryption, 802.1X authentication (EAP-TLS 1.2, EAP-LEAP, EAP-MD5), watermark, IP address filter, basic and digest authentication for HTTP/HTTPS, WSSE and digest authentication for ONVIF, TLS1.2
Simultaneous Live View	Up to 6 channels
User/Host	Up to 32 users, 3 levels: administrator, operator and user
Client	iVMS-4200, Hik-Connect, Hik-Central
Web Browser	Plug-in required live view: Chrome 45.0+, Firefox 52.0+ Plug-in free live view: Chrome 41.0+, Firefox 30.0+
<b>Interface</b>	
Communication Interface	1 RJ45 10M/100M self-adaptive Ethernet port
On-board storage	Built-in micro SD/SDHC/SDXC slot, up to 256 GB
Hardware Reset	Yes
<b>General</b>	
Web Client Language	32 languages English, Russian, Estonian, Bulgarian, Hungarian, Greek, German, Italian, Czech, Slovak, French, Polish, Dutch, Portuguese, Spanish, Romanian, Danish, Swedish, Norwegian, Finnish, Croatian, Slovenian, Serbian, Turkish, Korean, Traditional Chinese, Thai, Vietnamese, Japanese, Latvian, Lithuanian, Portuguese (Brazil)
General Function	Privacy mask, heartbeat, mirror, flash log, password reset via e-mail, pixel counter
Startup and Operating Conditions	-30 °C to 60 °C (-22 °F to 140 °F), humidity 95% or less (non-condensing)
Storage Conditions	-30 °C to 60 °C (-22 °F to 140 °F), humidity 95% or less (non-condensing)
Power Supply	12 VDC ± 25%; PoE (802.3at, class 4)
Power Consumption and Current	12 VDC, 0.6 A, max. 7.2W PoE: (802.3af, 36 V-57 V), 0.3 A to 0.2 A, max. 8.7W

Power Interface	Φ5.5 mm coaxial power plug
Material	Metal
Dimensions	Camera: Φ105 × 278 mm (Φ4.1" × 10.9") With package: 386 × 156 × 155 mm (15.20" × 6.14" × 6.10")
Weight	Camera: 570 g (1.26 lb.) With package: 760 g (1.68 lb.)
<b>Approval</b>	
Class	Class B
Protection	IP67
EMC	FCC (47 CFR Part 15, Subpart B); CE-EMC (EN 55032: 2015, EN 61000-3-2: 2014, EN 61000-3-3: 2013, EN 50130-4: 2011 +A1: 2014); RCM (AS/NZS CISPR 32: 2015); IC (ICES-003: Issue 6, 2016); KC (KN 32: 2015, KN 35: 2015)
Safety	UL (UL 60950-1); CB (IEC 60950-1:2005 + Am 1:2009 + Am 2:2013); CE-LVD (EN 60950-1:2005 + Am 1:2009 + Am 2:2013); BIS (IS 13252(Part 1):2010+A1:2013+A2:2015); LOA (IEC/EN 60950-1)
Environment	CE-RoHS (2011/65/EU); WEEE (2012/19/EU); Reach (Regulation (EC) No 1907/2006)

\* Listed resolutions are only selectable options. It does not mean that all streams can work at their maximum resolution at the same time.

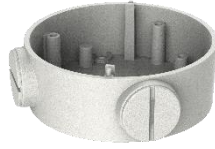
## Dimension



## Accessory



**Vertical Pole  
Mount**



**Junction Box**



**Corner  
Mount**



**Junction Box**



**Vertical Pole  
Mount**