

DS-2CD2647G2-LZS

4 MP ColorVu Motorized Varifocal Bullet Network Camera

## ColorVu



Hikvision ColorVu technology provides 24/7 vivid colorful images with F1.0 advanced lenses and high performance sensors. F1.0 super-aperture collects more light to produce brighter images. Advanced sensor technology can vastly improve the utilization of available light.

- High quality imaging with 4 MP resolution
- Motorized varifocal lens for easy installation and monitoring
- 24/7 colorful imaging
- Clear imaging against strong backlight due to 130 dB WDR technology
- Focus on human and vehicle targets classification based on deep learning
- Efficient H.265+ compression technology
- Water and dust resistant (IP67) and vandal resistant (IK10)



## ▪ Specification

| Camera                      |  |
|-----------------------------|--|
| Image Sensor                | 1/1.8" Progressive Scan CMOS   |
| Min. Illumination           | Color: 0.0005 Lux @ (F1.0, AGC ON), B/W: 0 Lux with white light  |
| Shutter Speed               | 1/3 s to 1/100,000 s   |
| Slow Shutter                | Yes  |
| P/N                         | P/N  |
| Wide Dynamic Range          | 130 dB   |
| Angle Adjustment            | Pan: 0° to 355°, tilt: 0° to 90°, rotate: 0° to 360°   |
| Power-off Memory            | Yes  |
| Lens                        |  |
| Lens Type                   | Varifocal lens, motorized lens, 3.6 to 9 mm  |
| Focal Length & FOV          | 3.6 to 9 mm, horizontal FOV 92.3° to 48°, vertical FOV 48.4° to 27°, diagonal FOV 112.2° to 55°  |
| Lens Mount                  | Ø20  |
| Iris Type                   | Fixed  |
| Aperture                    | F1.0   |
| DORI                        |  |
| DORI                        | D: 69 m to 124 m, O: 27.4 m to 49.3 m, R: 13.8 m to 24.8 m, I: 6.9 m to 12.4 m   |
| Illuminator                 |  |
| Smart Supplement Light      | Yes  |
| White Light Range           | Up to 60 m   |
| Video                       |  |
| Max. Resolution             | 2688 × 1520  |
| Main Stream                 | 50 Hz: 25 fps (2688 × 1520, 1920 × 1080, 1280 × 720)<br>60 Hz: 30 fps (2688 × 1520, 1920 × 1080, 1280 × 720)   |
| Sub-Stream                  | 50 Hz: 25 fps (640 × 480, 640 × 360)<br>60 Hz: 30 fps (640 × 480, 640 × 360)   |
| Third Stream                | 50 Hz: 10 fps (1920 × 1080, 1280 × 720, 640 × 480, 640 × 360)<br>60 Hz: 10 fps (1920 × 1080, 1280 × 720, 640 × 480, 640 × 360)<br>*Third stream is supported under certain settings. |
| Video Compression           | Main stream: H.265/H.264/H.265+/H.264+<br>Sub-stream: H.265/H.264/MJPEG<br>Third stream: H.265/H.264<br>*Third stream is supported under certain settings.                           |
| Video Bit Rate              | 32 Kbps to 8 Mbps  |
| H.264 Type                  | Baseline Profile/Main Profile/High Profile   |
| H.265 Type                  | Main Profile   |
| H.264+                      | Main stream supports   |
| H.265+                      | Main stream supports   |
| Bit Rate Control            | CBR/VBR  |
| Scalable Video Coding (SVC) | H.265 and H.264 encoding   |
| Region of Interest (ROI)    | 1 fixed region for main stream and sub-stream  |

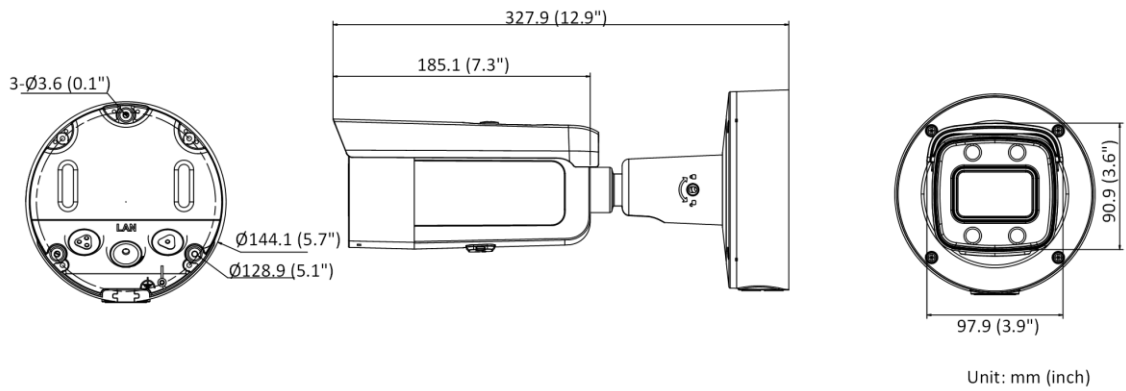
| <b>Audio</b>                  |   |
|-------------------------------|---|
| Audio Compression             | G.711ulaw/G.711alaw/G.722.1/G.726/MP2L2/PCM/MP3/AAC   |
| Audio Bit Rate                | 64 Kbps (G.711ulaw/G.711alaw)/16 Kbps (G.722.1)/16 Kbps (G.726)/32 to 192 Kbps (MP2L2)/8 to 320 Kbps (MP3)/16 to 64 Kbps (AAC)  |
| Audio Sampling Rate           | 8 kHz/16 kHz/32 kHz/44.1 kHz/48 kHz   |
| Environment Noise Filtering   | Yes   |
| <b>Network</b>                |   |
| Protocols                     | TCP/IP, ICMP, HTTP, HTTPS, FTP, DHCP, DNS, DDNS, RTP, RTSP, NTP, UPnP, SMTP, IGMP, 802.1X, QoS, IPv4, IPv6, UDP, Bonjour, SSL/TLS, PPPoE, SNMP, ARP   |
| Simultaneous Live View        | Up to 6 channels  |
| API                           | Open Network Video Interface (PROFILE S, PROFILE G, PROFILE T), ISAPI, SDK  |
| User/Host                     | Up to 32 users. 3 user levels: administrator, operator and user   |
| Security                      | Password protection, complicated password, HTTPS encryption, IP address filter, Security Audit Log, basic and digest authentication for HTTP/HTTPS, TLS 1.1/1.2, WSSE and digest authentication for Open Network Video Interface                                |
| Network Storage               | NAS (NFS, SMB/CIFS), auto network replenishment (ANR)<br>Together with high-end Hikvision memory card, memory card encryption and health detection are supported  |
| Client                        | iVMS-4200, Hik-Connect, Hik-Central   |
| Web Browser                   | Plug-in required live view: IE 10+<br>Plug-in free live view: Chrome 57.0+, Firefox 52.0+<br>Local service: Chrome 57.0+, Firefox 52.0+   |
| <b>Image</b>                  |   |
| Image Parameters Switch       | Yes   |
| Image Settings                | Rotate mode, saturation, brightness, contrast, sharpness, gain, white balance adjustable by client software or web browser  |
| Day/Night Switch              | Auto, Schedule  |
| SNR                           | ≥ 52 dB   |
| Image Enhancement             | BLC, HLC, 3D DNR  |
| <b>Interface</b>              |   |
| Ethernet Interface            | 1 RJ45 10 M/100 M self-adaptive Ethernet port   |
| On-Board Storage              | Built-in memory card slot, support micro SD/SDHC/SDXC slot, up to 256 GB  |
| Audio                         | 1 input (line in), 3.5 mm connector, max. input amplitude: 3.3 Vpp, input impedance: 4.7 KΩ, interface type: non-equilibrium<br>1 output (line out), 3.5 mm connector, max. output amplitude: 3.3 Vpp, output impedance: 100 Ω, interface type: non-equilibrium |
| Alarm                         | 1 input, 1 output (max. 24 VDC/24 VAC, 1 A)   |
| Hardware Reset                | Yes   |
| <b>Event</b>                  |   |
| Basic Event                   | Motion detection (human and vehicle targets classification), video tampering alarm, exception   |
| Smart Event                   | Scene change detection  |
| <b>Deep Learning Function</b> |   |
| Face Capture                  | Yes   |

|                                  |   |
|----------------------------------|---|
| Perimeter Protection             | Line crossing detection, intrusion detection, region entrance detection, region exiting detection<br>Supports human and vehicle targets classification  |
| <b>General</b>                   |   |
| Linkage Method                   | Upload to NAS/memory card/FTP, notify surveillance center, trigger recording, trigger capture, send email   |
| Camera Material                  | Aluminum alloy body   |
| Camera Dimension                 | 327.9 mm × 97.9 mm × 90.9 mm (12.9" × 3.9" × 3.6")  |
| Package Dimension                | 385 mm × 190 mm × 180 mm (15.2" × 7.5" × 7.1")  |
| Camera Weight                    | Approx. 1520 g (3.4 lb.)  |
| With Package Weight              | Approx. 2521 g (5.6 lb.)  |
| Storage Conditions               | -30 °C to 60 °C (-22 °F to 140 °F). Humidity 95% or less (non-condensing)   |
| Startup and Operating Conditions | -30 °C to 60 °C (-22 °F to 140 °F). Humidity 95% or less (non-condensing)   |
| Web Client Language              | 33 languages<br>English, Russian, Estonian, Bulgarian, Hungarian, Greek, German, Italian, Czech, Slovak, French, Polish, Dutch, Portuguese, Spanish, Romanian, Danish, Swedish, Norwegian, Finnish, Croatian, Slovenian, Serbian, Turkish, Korean, Traditional Chinese, Thai, Vietnamese, Japanese, Latvian, Lithuanian, Portuguese (Brazil), Ukrainian |
| General Function                 | Anti-flicker, heartbeat, mirror, privacy mask, flash log, password reset via email, pixel counter   |
| Firmware Version                 | V5.5.113  |
| Software Reset                   | Yes   |
| Power Consumption and Current    | 12 VDC, 1.21 A, max. 14.5 W<br>PoE (802.3at, 42.5 V to 57 V), 0.43 A to 0.32 A, max. 18 W   |
| Power Supply                     | 12 VDC ± 25%<br>PoE: 802.3at, Class 4   |
| Power Interface                  | Two-core terminal block   |
| <b>Approval</b>                  |   |
| EMC                              | FCC SDoC (47 CFR Part 15, Subpart B);<br>CE-EMC (EN 55032: 2015, EN 61000-3-2: 2014, EN 61000-3-3: 2013, EN 50130-4: 2011 +A1: 2014);<br>RCM (AS/NZS CISPR 32: 2015);<br>IC VoC (ICES-003: Issue 6, 2016);<br>KC (KN 32: 2015, KN 35: 2015)   |
| Safety                           | UL (UL 60950-1);<br>CB (IEC 60950-1:2005 + Am 1:2009 + Am 2:2013, IEC 62368-1:2014);<br>CE-LVD (EN 60950-1:2005 + Am 1:2009 + Am 2:2013, IEC 62368-1:2014);<br>LOA (IEC/EN 60950-1)   |
| Environment                      | CE-RoHS (2011/65/EU); WEEE (2012/19/EU);<br>Reach (Regulation (EC) No 1907/2006)  |
| Protection                       | IP67 (IEC 60529-2013), IK10 (IEC 62262:2002)  |

#### ▪ Available Model

DS-2CD2647G2-LZS (3.6 to 9 mm)

▪ **Dimension**



▪ **Accessory**

▪ **Optional**

**DS-1476ZJ-SUS**

**Corner Mount**



Distributed by

**HIKVISION®****Headquarters**

No.555 Qianmo Road, Binjiang District,  
Hangzhou 310051, China  
T +86-571-8807-5998  
overseasbusiness@hikvision.com

**Hikvision USA**  
T +1-909-895-0400  
sales.usa@hikvision.com

**Hikvision Australia**  
T +61-2-8599-4233  
salesau@hikvision.com

**Hikvision India**  
T +91-22-28469900  
sales@pramahikvision.com

**Hikvision Canada**  
T +1-866-200-6690  
sales.canada@hikvision.com

**Hikvision Thailand**  
T +662-275-9949  
sales.thailand@hikvision.com

**Hikvision Europe**  
T +31-23-5542770  
sales.eu@hikvision.com

**Hikvision Italy**  
T +39-0438-6902  
info.it@hikvision.com

**Hikvision Brazil**  
T +55 11 3318-0050  
Latam.support@hikvision.com

**Hikvision Turkey**  
T +90 (216)521 7070- 7074  
sales.tr@hikvision.com

**Hikvision Malaysia**  
T +601-7652-2413  
sales.my@hikvision.com

**Hikvision UK & Ireland**  
T +01628-902140  
sales.uk@hikvision.com

**Hikvision South Africa**  
Tel: +27 (10) 0351172  
sale.africa@hikvision.com

**Hikvision France**  
T +33(0)1-85-330-450  
info.fr@hikvision.com

**Hikvision Kazakhstan**  
T +7-727-9730667  
nikia.panfilov@hikvision.ru

**Hikvision Vietnam**  
T +84-974270888  
sales.vt@hikvision.com

**Hikvision UAE**  
T +971-4-4432090  
salesme@hikvision.com

**Hikvision Singapore**  
T +65-6684-4718  
sg@hikvision.com

**Hikvision Spain**  
T +34-91-737-16-55  
info.es@hikvision.com

**Hikvision Tashkent**  
T +99-87-1238-9438  
uzb@hikvision.ru

**Hikvision Hong Kong**  
T +852-2151-1761  
info.hk@hikvision.com

**Hikvision Russia**  
T +7-495-669-67-99  
saleru@hikvision.com

**Hikvision Korea**  
T +82-(0)31-731-8817  
sales.korea@hikvision.com

**Hikvision Poland**  
T +48-22-460-01-50  
info.pl@hikvision.com

**Hikvision Indonesia**  
T +62-21-2933759  
Sales.Indonesia@hikvision.com

**Hikvision Colombia**  
sales.colombia@hikvision.com