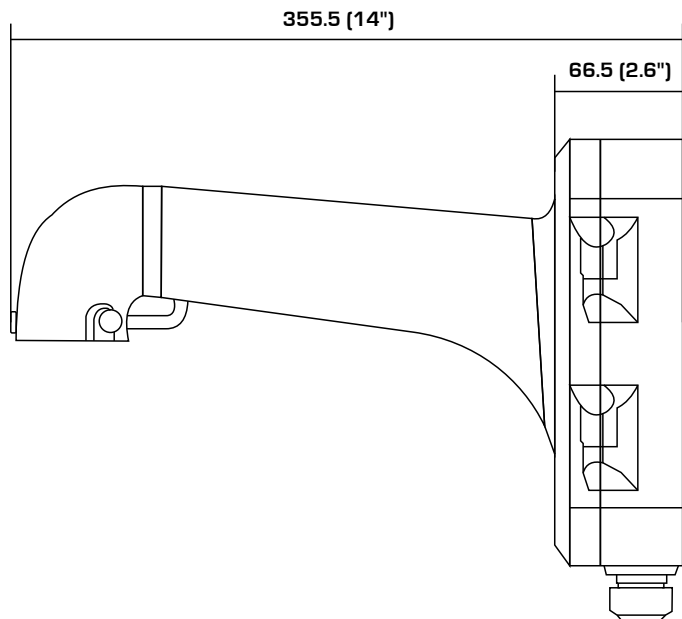
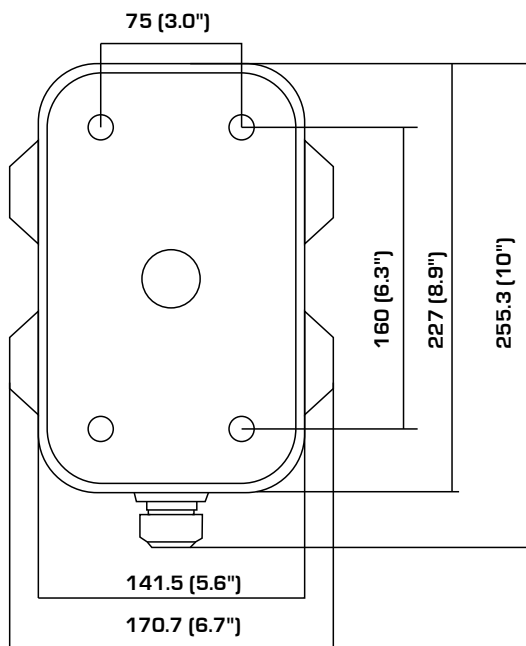


SPEC	
Parameters	Wall mounting bracket
Colour	Hik White
Feature	Suitable for speed dome cameras
Material	Aluminum alloy
Dimension	355.5 x 255.3 x 170.7mm
Weight	2150g

**FEATURES:**

- Wall mounting bracket with the junction box
- Aluminum alloy material with surface spray treatment
- Waterproof design
- Junction box supports bottom outlet and back outlet
- The hook for safety rope facilitates speed dome's installation



unit: mm