

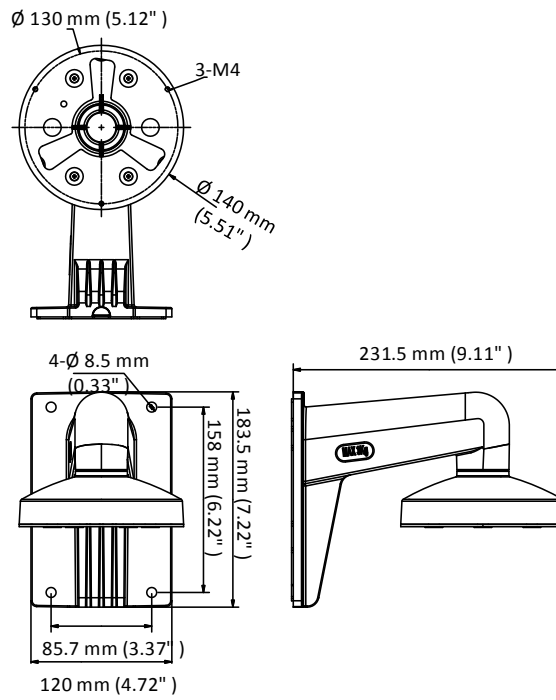
Wall Mount



Feature

- Aluminum alloy with surface spray treatment
- The cap design facilitates the installation
- Applies to both indoor conditions, and outdoor conditions

Dimension



Parameter

Model	
Parameters	Wall Mount
Appearance	Hikvision White
Material	Aluminum Alloy
Dimension	$\text{Ø } 140 \text{ mm} \times 183.5 \text{ mm} \times 231.5 \text{ mm (5.51" } \times 7.22" \times 9.11")$
Weight	907 g (2.0 lb.)

Note

- The mount should be installed on the flat wall
- Waterproof rubber is necessary for the outdoor application.
- The wall must be capable of supporting at least 3 times as much as the total weight of the camera, and the mount.
- The mount's maximum load capacity is 3 kg (6.6 lb.).