



### D-TECT 50 AM Anti-Masking Motion Detector

The D-TECT 50 AM is a BS8418 compliant, PIR external movement detector with anti-masking sensing, which can be used for intruder monitoring, CCTV surveillance and other alarm warning requirements.

The detector's PIR dual technology anti-mask sensing module is equipped with one N/O and one N/C volt-free contact with a programmable beam range of up to 50 metres, avoiding boundary overspill and offering truly exceptional resistance to false alarms.

No other movement detectors are more versatile or offer such a wide range of features to enhance the detection of threats and significantly reduce the incidence of false alarms.

### PRODUCT CODES

**GJD359** D-TECT 50 AM

#### UNIQUE FEATURES

Active infra-red sensor system to detect mask tampering

Adjustable 180° pan and 45° tilt

Conduit adaptor available

Programmable range up to 50m

Covert sensor module

#### END USER BENEFITS

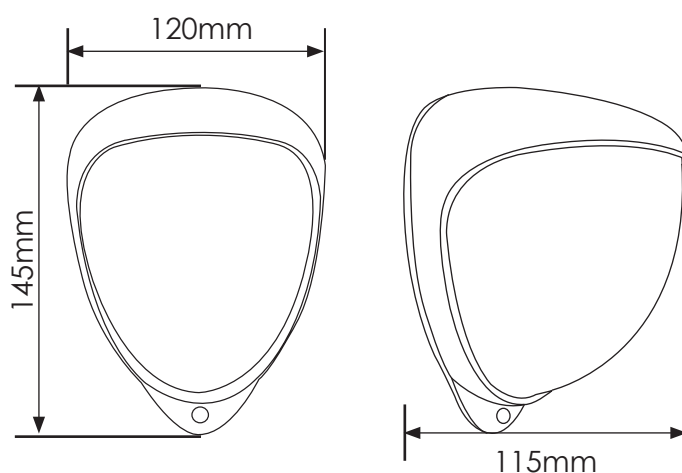
Modern design

Exceptional resistance to false alarms

Robust IP65 rated zinc alloy metal housing

Superior dual technology protection

### DIMENSIONS



# TECHNICAL SPECIFICATIONS

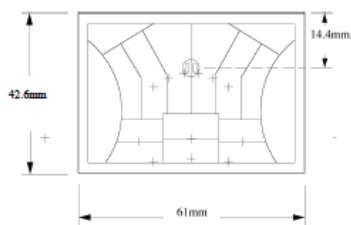
## ACCESSORIES

<b>GJD304</b>	Conduit Adaptor
<b>PMB1</b>	Pole Mount Bracket
<b>GJD380</b>	Walk Tester

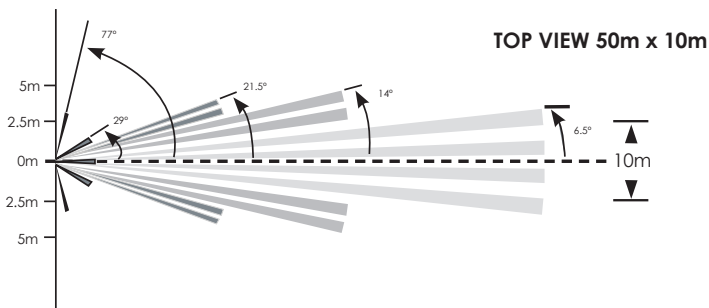
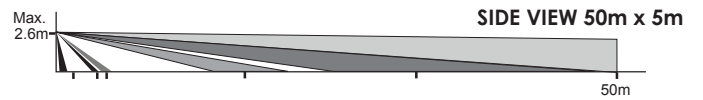
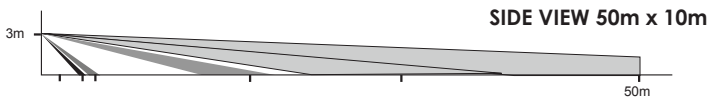
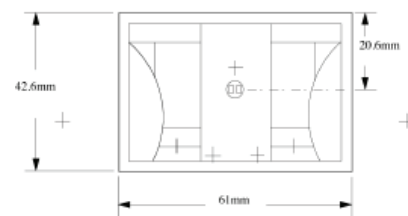
RANGE	From 25m to 50m programmable
COVERAGE	Detection Area 50m x 10m Extra Lense 50m x 5m
ADJUSTMENT	180° pan + 45° tilt
MOUNTING HEIGHT	Optimum 3m
FRESNEL LENS	12 zones for each Pyro pair
CUSTOMISED OPTICS	Double silicon shielded quad element eliminates 50,000 Lux of white light
INDICATORS	1 x Blue LED on detection (configurable on/off)
OUTPUTS	3 x volt-free, silent solid state magnetically immune, plus one common tamper (front and rear switched)
POWER INPUT	9 - 15 DC
CURRENT	12 mA (12V nominal)
PULSE COUNT	1-2
WALK TEST	Output test mode with LED indication
OPERATING TEMP	-20°C to +55°C conformally coated electronics for increased stability
TEMP. COMPENSATION	Digital sensitivity adjustment
HOUSING	High impact zinc alloy
PROTECTION RATING	IP65
DIMENSIONS	145 x 120 x 115 mm
WEIGHT	750g NET, 880g GROSS
CABLE <200M	Utilising all five outputs (incl. tamper) - 12 core 7/0.2mm
CABLE <500M	Utilising all five outputs (incl. tamper) - 12 core 16/0.2mm

## BEAM PATTERNS

LENS 1 FITTED AS STANDARD



LENS 2 OPTIONAL



Please note GJD reserve the right to change the information within this document, without notice.

