

# LED MONITOR

## DS195AHDA

## LED Monitor

### DS195AHDA

Panel Type	19.5" LED
Case Type	Plastic
Maximum Resoluion	1920 (H) x 1080 (V)
Acive Display Area	434.88 (H) x 238.68 (V) mm
Pixel Pitch	0.2265 (H) x 0.221 (V) mm
Bezel Thickness	Let/Right/Top 25mm Botom 36mm
Contrast Raio	1000 : 1
Brightness	250 cd/m <sup>2</sup>
Response Time	5 m.sec
Viewing Angle	178° / 178°
Display Colours	16.7m
Video Synchronisaion	Yes
PC Compaibility	N/A
Aspect Raio	16:9
VGA Auto Frequency Correccion	N/A
Speakers	NO
Sound Demodulaion	NO
Mute	N/A
Work Humidity	5% - 90%
Work Temperature	0 - 40 °C
Power On/Off	Yes



### IN / OUT INTERFACE

Video Interface	2 x HD analogue BNC in (CVBS, AHD, CVI, TVI) 2 x HD analogue BNC out (CVBS, AHD, CVI, TVI) HDMI in
Audio	N/A
Cerificaion	FCC-DOC, CE, ROHS
VESA	100 x 100 mm
Stand Type	Desk
Colour	Black
Buton Posiion	Front, Botom Right
Packing Dimensions	530 x 120 x 420mm
Net Weight	2.9 kg
Gross Weight	3.6 kg

### POWER

Power Supply	220/240 AC
Voltage	12v DC
Power Consumption	<25W

### OSD CONTROLS

Contrast, Brightness, Saturation, Hue, Language, OSD position, OSD Time, Reset

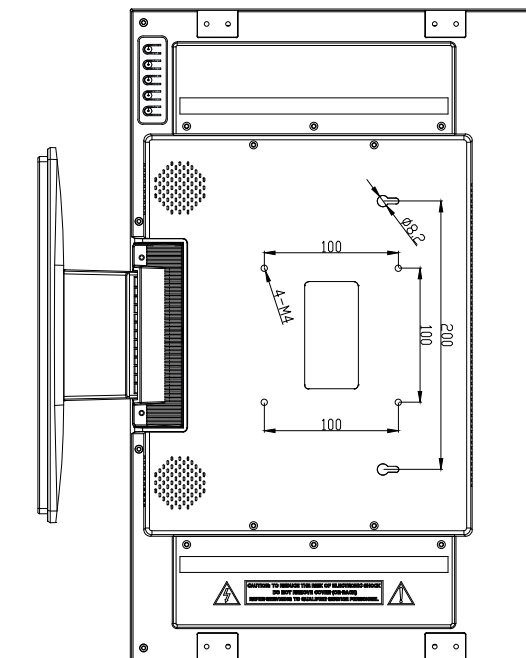
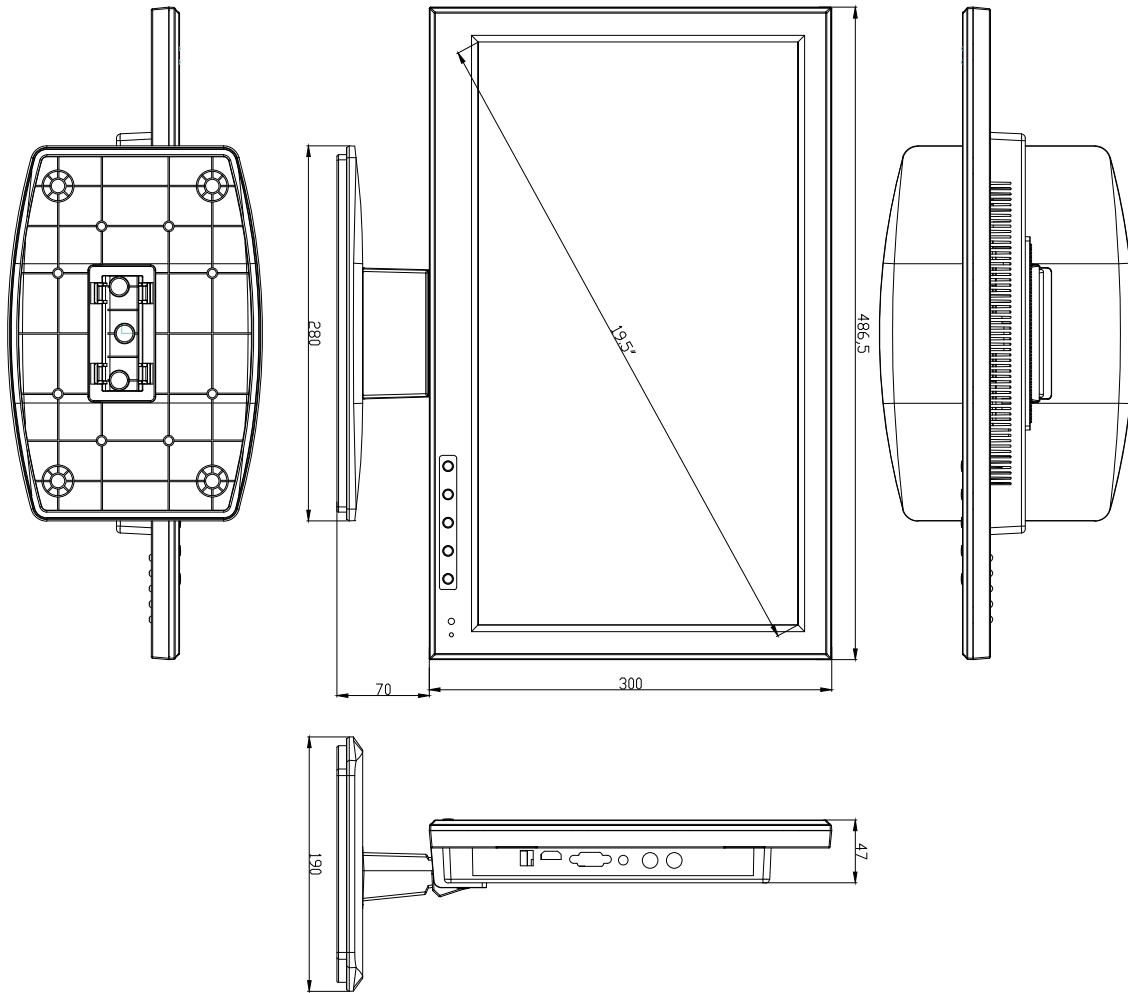
### OSD LANGUAGE

English, French, German, Spanish, Italian, Dutch, Polish, Russian, Danish

### ACCESSORIES

Power cord, Adapter, Stand, User's guide, HDMI cable

100
95
75
25
5
0



100
95
75
25
5
0

100
95
75
25
5
0

100
95
75
25
5
0