

METRO



Low Power Consumption With Dual Voltage Heater 12v only 600Ma

Side Opening Housing For Ease Of Installation & Maintenance

Full Cable Management

Flexible Internal Layout

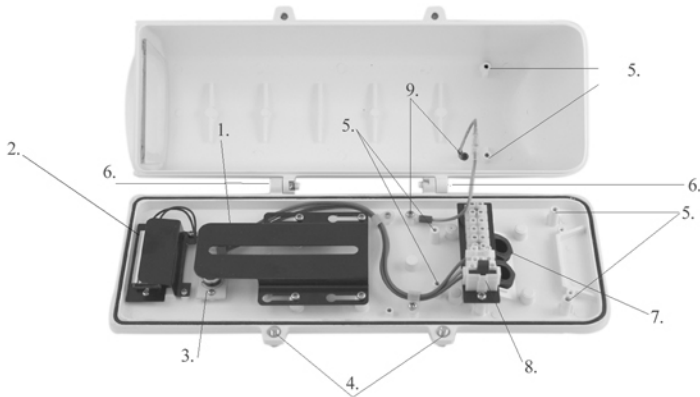
Weatherproof to IP67

3 Year Anti-Corrosion Warranty

Manufactured From Die Cast Aluminium

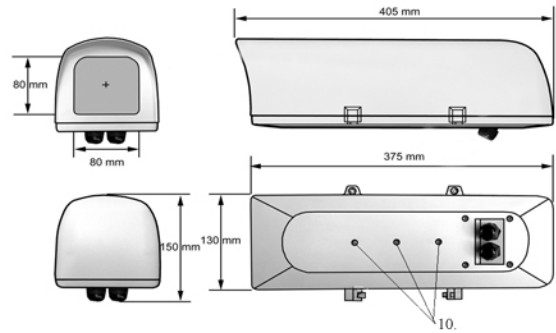
Quick Release Removable Top

INTERNAL LAYOUT



- | | |
|-----------------------------|------------------------|
| 1. Camera mounting plate | 6. Hinges |
| 2. Heater element | 7. Cable glands |
| 3. Thermostat control board | 8. Connector block |
| 4. Retained housing fixings | 9. Earth points |
| 5. Additional fixing lugs | 10. IR Mounting points |

EXTERNAL DIMENSIONS



Power Consumption

Available in two heater options

1. 230v

2. Dual Voltage (12vdc/24vac)

12v = 600Ma

24v = 400Ma

All other worldwide voltages are available

MAXIMUM INTERNAL DIMENSIONS
320mm Length x 110mm Width x 90mm Height

CABLING OPTIONS



Two Cable options as shown

MOUNTING BRACKET



Easy mounting of the bracket with only 4 allen head screws

ADDITIONAL FEATURES

1. Flexible Internal Layout

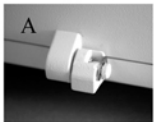


A. Standard

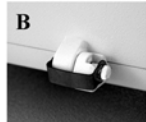


B. Creating an additional 60mm of internal space

2. Hinge Fixings



A. Standard hinge fixing



B. Quick release clips if removal of cover is required



3. Housing Cover Hook (if removing housing cover)

This Feature is optional. When installing the bracket install the hook provided to allow the housing cover to be hung if required when maintaining or installing.

WIRING DIAGRAM

