

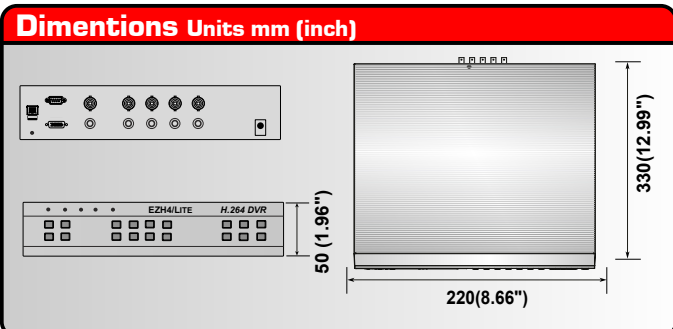
# EZH4/LITE



The EZH4/LITE DVR is low in price but big on features and offers the user easy to use functions. With hard drive sizes up to 2TB & the EZ record function users can easily set the amount of days they want the DVR to record for and it will set itself up accordingly. Added to this is the easy backup function which takes only 3 button presses to enable the data to be copied a USB memory stick. The playback software is also copied on the media for easy access. The unit is in an attractive compact white casing with fan less operation, well suited for commercial and domestic installations .

**FEATURES:**

- 4 Channel Quadplex Recording**
- Built in USB for back up with ezBurn technology allowing playback software to be burned onto backup**
- Powerful H264 recording ezRecord allowing you to easily specify the amount of days to record**
- Powerful network functions, remote viewing via TCP/IP**
- Remote viewing via mobile phone**
- Pre alarm recording**
- Up to extra large 2000GB SATA HDD available**
- 4 Channel Audio Recording**
- Multi screen display**
- Smart cell motion detection with selectable areas**
- Multiple built in dome protocols for PTZ control**
- Covert Facility**
- 5 Record settings**
- Auto Sequencing**
- Upto 32x search speed**
- Digital Zoom 2x2**
- Alarms In/Out**
- Fan less design for ultra quiet operation**
- OSD & Time and Date**
- Infra Red remote control**
- VGA Output (Optional)**
- Mouse Control (Optional)**



EZH4/LITE	
<b>VIDEO</b>	
Input	BNC x 4, 1.0Vp-p 75 ohm
Outputs	Call Monitor N/A
	Main Monitor BNC x 1, 1.0Vp-p, 75 ohm
VGA Output; Optional	800 x 600, 1024 x 768, 1280 x 1024 pixels@60Hz
Picture Refresh Rate	400 PPS
<b>AUDIO</b>	
Input	RCA x 4, Line-in
Output	Call Audio N / A
	Main Out RCA x 1, Line-out
Compression Method	Proprietary
Data Rate	8KB/s, per CH
<b>RECORDING</b>	
Compression Method	H.264
Recording Mode	Schedule, Alarm, Motion Detection
Pre-alarm	Yes
Recording Resolution & Rate	720 x 576 Max 25 fps 720 x 288 Max 50 fps 360 x 288 Max 100 fps
Recording Quality	8 levels presets
Image Size	1K to 22K Byte/picture
Storage Mode	Linear / Circular
Data Life Time	Yes (Programmable)
<b>STORAGE</b>	
Built-in Storage Interface	x 1 SATA
Export	x 1 USB 2.0 Port
<b>ALARM</b>	
Alarm Input	x 4, D-Sub
Alarm Relay Output	x 1, D-Sub
Alarm Detection	N.C./N.O., Programmable
Motion Detection	16 x 12 Grid Array, Sensitivity, Trigger Level Adjustable
Video Loss Detection	Programmable
<b>COMMUNICATION</b>	
Network Connectivity	Ethernet RJ-45 connector, 10/100Mbps
Remote Monitoring	CMS, DVR Remote
Remote Operation	Monitor, Playback, Recording, System Setup, Camera Control, Archive
RS-485	D-Sub
IR Remote	Yes
Dome Camera Protocol	DSCP, Pelco P, Pelco D, AD422, Fastrax 2, Panasonic, JVC
<b>GENERAL</b>	
Operation Temperature	0°C ~ 40°C (32°F ~ 104°F)
Relative Humidity	10% ~ 90% Non-condensing
Power Consumption & Input	AC 100 ~ 240V, 50-60Hz, 60W Adaptor