

# SPECIFICATION

## Features

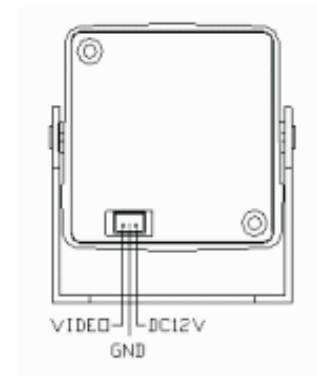
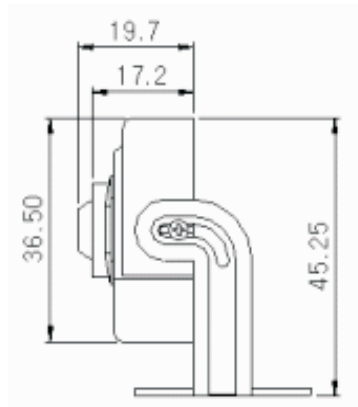
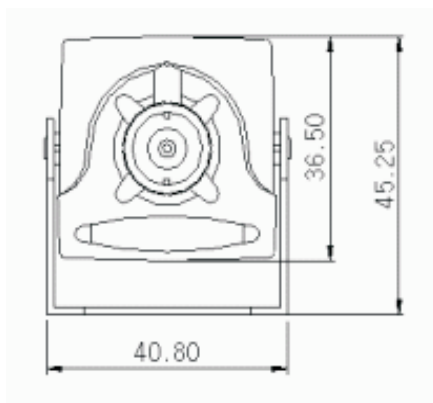
1/3" SONY Super HAD CCD II (Min. Illumination)

High Resolution(560 TVL) Miniature Camera

DC12V Power Source



## Dimension



Item	DTV - PCBCAM	
Signal System	NTSC : 525 Lines	PAL : 625 Lines
Scanning System	2:1 Interlace	
Scanning Frequency(H)	15.734 kHz	15.625 kHz
Scanning Frequency(V)	59.94 Hz	50 Hz
S/N Ratio	More than 50dB (AGC Off)	
Resolution	Horizontal : 560 TV Line	
Video Output Level	1.0 Vp-p (75ohm, Composite)	
Lens	3.7mm Conical Pin-hole Type Lens	
Sync System	Internal	
Min. Illumination	0.2Lux / F=2.0	
Electronic Shutter	1/60 ~ 1/100,000 Sec	1/50 ~ 1/100,000 Sec
White Balance	Auto	
AGC	Auto	
Supplied Voltage	DC12 ±10%	
Power Consumption	Less than 80mA	