

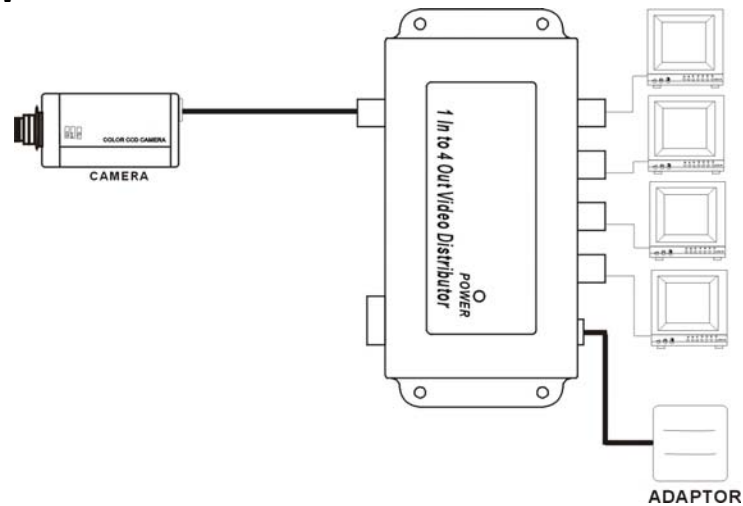
Coaxial video distributor

The CD104 is a single video input to four video output distributor.

Features:

- Dual Power DC12V and AC24V
- Red LED – power on/power off
- For connection to video cameras, multiplexers, DVR's etc.
- Power supply included

Installation View



All transmission distances mentioned do not take into consideration the connection of image processing equipment (e.g. Quad, Multiplexer, DVR). The transmission range could be considerably reduced dependent upon the type of equipment being used.

Video Input Channel	1
Video Output Channel	4
Audio Input Channel	not available
Audio Output Channel	not available
Video Input Level	0.8 ~ 1.2V p-p, 75Ω
Video Output Level	1V p-p (standard), 75Ω
Video Bandwidth	10Hz - 10MHz
Transmission Range	300 metres maximum
Power Supply	DC12V or AC24V
Power Consumption	320mA
Dimensions (mm)	138 x 84 x 28
Weight	130 grams
Material	ABS Black