

| | | | | | |
|-----------------|--|-----------------|--------|--------------|-----------|
| Title: | DS-K1100 Series Card Readers Connect to DS-K1T105&DS-K1T200 Series Access Control Terminal | Version: | v1.0 | Date: | 6/21/2017 |
| Product: | Access Control Device | Page: | 1 of 4 | | |



DS-K1100 Series Card Readers Connect to DS-K1T105&DS-K1T200 Series Access Control Terminal

Preparation

Connecting card reader to access control terminal is mainly applied to swiping card to open the door for exiting. For card reader, access controller and access control terminal in this documents, please check the table below:

| Card Reader | Access Control Terminal |
|--|------------------------------------|
| DS-K1101M/MK, DS-K1102M/MK, DS-K1103M/MK, DS-K1104M/MK, DS-K1107M/MK, DS-K1108M/MK | DS-K1T105M/M-C DS-K1T200MF/MF-C |
| DS-K1102E/EK, DS-K1107E/EK, DS-K1108E/EK | DS-K1T105E/E-C DS-K1T200EF/EF-C |

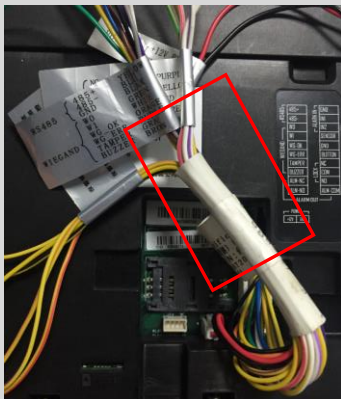
Note

If the model of access control terminal is DS-K1T105E/E-C or DS-K1T200EF/EF-C, we suggest customers should match the following several card readers, such as DS-K1102E/EK, DS-K1107E/EK and DS-K1108E/EK; you can find the same symbol 'E' in the access control terminal and card reader model name, that means both devices can recognize the **EM** Card.

The 'M' access control terminal should be matched the 'M' card reader either, and they can recognize the **Mifare1** Card.

Notice

1. Please cut off power supply before wiring;
2. DS-K1100 Series Card Readers support private RS485 protocol and standard Wiegand protocol , correspondingly, there are RS485 interfaces and Wiegand interfaces in access control terminal, so there are two optional ways of wiring;

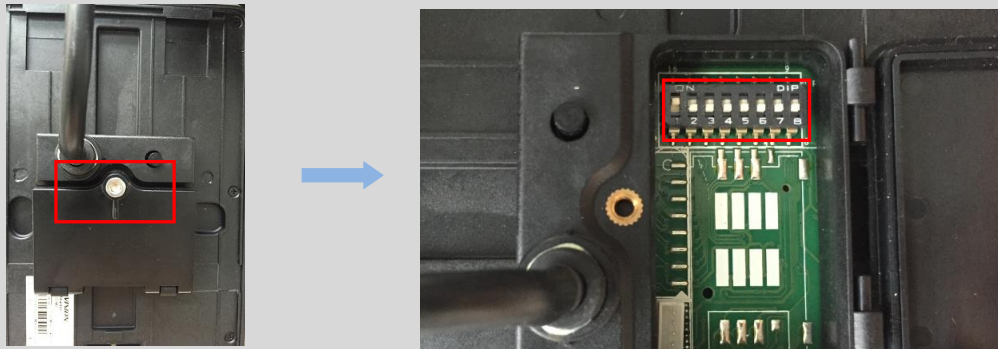


| | Interface | Color |
|---------|-----------|--------|
| RS485 | RS485+ | Yellow |
| | RS485- | Blue |
| | GND | Black |
| Wiegand | W0 | Green |
| | W1 | White |
| | WG_OK | Brown |
| | WG_ERR | Orange |
| | TAMPER | Gray |
| | BUZZER | Purple |

| | | | | | |
|-----------------|--|-----------------|--------|--------------|-----------|
| Title: | DS-K1100 Series Card Readers Connect to DS-K1T105&DS-K1T200 Series Access Control Terminal | Version: | v1.0 | Date: | 6/21/2017 |
| Product: | Access Control Device | Page: | 2 of 4 | | |



3. Please check the rear panel of card reader and unscrew it, you could find DIP switch module;
The No. of DIP switch from left to right is 1~8:



Description of DIP Switch:

| Icon | Description |
|------|----------------------------|
| | Represent 1 in binary mode |
| | Represent 0 in binary mode |

| No. | Description | DIP Switch Status |
|-----|---|--|
| 1~4 | Address of RS485 | 1: 1 0: 0 |
| 5 | Read card No. or file in card(Reserved) | 1: read card No; 0: read file in card. |
| 6 | Wiegand protocol or RS-485 protocol | 1: Wiegand protocol 0: RS-485 protocol. |
| 7 | Wiegand Protocol (available when No. 6 is 1) | 1: Wiegand protocol of 26-bit; 0: Wiegand protocol of 34-bit. |
| 8 | Matched Resistance(Reserved) (available for RS-485 protocol) | 1: Enable; 0: Disable. |

RS485 Wiring

Step 1: DIP Switch

Please set the DIP switch firstly before connecting the external card reader, the binary value of the card reader is 0100 0000, please set as the following picture;

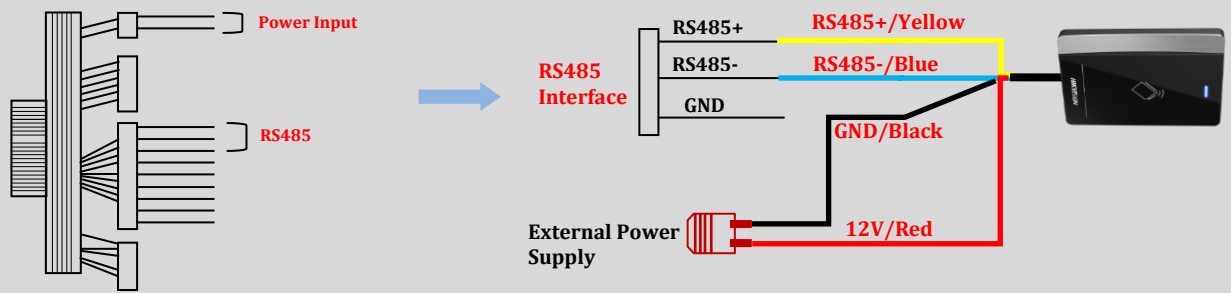


| | | | | | |
|-----------------|--|-----------------|--------|--------------|-----------|
| Title: | DS-K1100 Series Card Readers Connect to DS-K1T105&DS-K1T200 Series Access Control Terminal | Version: | v1.0 | Date: | 6/21/2017 |
| Product: | Access Control Device | Page: | 3 of 4 | | |



Step 2: Wiring

We recommend that customers use **external power supply** to card reader. Please connect card reader as following picture:



Wiegand Wiring

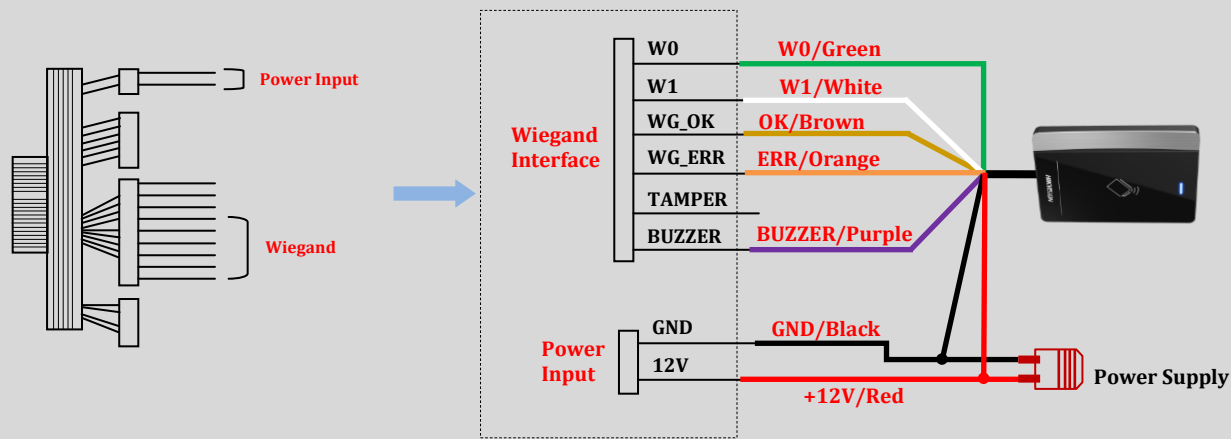
Step 1: DIP Switch

When terminal adopts the wiegand interafce connecting card reader, terminal only supports Wiegand34 protocol. Please set the DIP switch firstly before connecting the external card reader, the binary value of the card reader is 0000 0100, please set as the following picture;



Step 2: Wiring

We recommend that customers use **external power supply** to card reader. Please know that the external power supply and the access control terminal should use the **same GND cable**; Please connect card reader as following picture:



Step 3: Local Setting

Enter local configuration interface by inputting password, **Comm** → **Wiegand**, setting like below picture shows:



| | | | | | |
|-----------------|--|-----------------|--------|--------------|-----------|
| Title: | DS-K1100 Series Card Readers Connect to DS-K1T105&DS-K1T200 Series Access Control Terminal | Version: | v1.0 | Date: | 6/21/2017 |
| Product: | Access Control Device | Page: | 4 of 4 | | |



First Choice for Security Professionals

***HIK*VISION Technical Support**